



Models:

BassLink

BassLink (Remote Level Control Ready)

BassLink X

Powered Automotive Subwoofer

SERVICE MANUAL



Infinity Systems, Inc.
250 Crossways Park Dr.
Woodbury, New York 11797

Rev 2 7/2003

Contents

ALL MODELS BASSLINK

SPECIFICATIONS	2
CONNECTIONS/APPLICATIONS	3
TUNING BASSLINK.....	6
TROUBLESHOOTING	7
TEST SETUP PROCEDURE	8

BASSLINK (Original version without Remote Level Control jack)

SERVICE BULLETIN INF2000-03	10
EXPLODED VIEW	11
MECHANICAL PARTS LIST	12
BLOCK DIAGRAM	13
PCB DRAWINGS	14
ELECTRICAL PARTS LIST	24
SCHEMATICS	29
PACKAGING	31

BASSLINK or BASSLINK X (Versions with Remote Level Control jack)

SERVICE BULLETIN INF2003-01	33
EXPLODED VIEW	34
MECHANICAL PARTS LIST	35
BLOCK DIAGRAM	36
PCB DRAWINGS	37
ELECTRICAL PARTS LIST	44
SCHEMATICS	50
PACKAGING	54

ALL MODELS BASSLINK

INTEGRATED CIRCUIT DIAGRAMS	55
-----------------------------------	----

Specifications

BASSLINK/BASSLINK w/ Remote Level Control/BASSLINK X

Amplifier Power:	200W RMS @10% THD 120W RMS @1% THD
Frequency Response:	20Hz – 120Hz
THD @ 30W	1.0%
Input Sensitivity:	50mV – 4V Line-Level Input 1V – 16V Universal Interface
Maximum Input Sensitivity (Gain level @ Max)	7mV Line-Level Input 120mV Universal Interface
Crossover Frequency:	50Hz – 120Hz
Crossover Slope:	12dB/octave
Bass Boost:	–6 to +3 dB @ 40Hz
Signal-Noise Ratio	65dB (Wide band w/ 22K LPF)
Max Gain Level Noise (Level pot Max.)	3.0 mV Basslink 1.8 mV Basslink w/ Remote Level Control 1.8 mV Basslink X
Max Gain Level Noise (Level pot Min.)	2.0 mV Basslink 1.7 mV Basslink w/ Remote Level Control 1.7 mV Basslink X
Auto On/Off Time	From 1 1/2 to 5 min. (depending on last input signal level)
Gain boost (min to max)	9.0 dB
Fuse:	25A Basslink 20A Basslink w/ Remote Level Control 20A Basslink X
Maximum Current Draw:	12A
Quiescent Current Draw:	<800 mA
Protection Circuits:	
Over/Under voltage	17.5, 8.5 VDC
Temperature	95° C
Short Circuit	w/ 0.1 Ω resistor
DC Offset	Yes
Dimensions:	14-1/2" x 12-1/2" x 8-1/2" (L x W x H) (369mm x 318mm x 216mm)
Weight	16 lbs./7.2kg

Note: For the original version Basslink without the AUTO OFF/ON switch and Optional Sub Level Control, references to these items in the Connections, Applications and Controls sections can be ignored - all other information is valid.

POWER CONNECTIONS

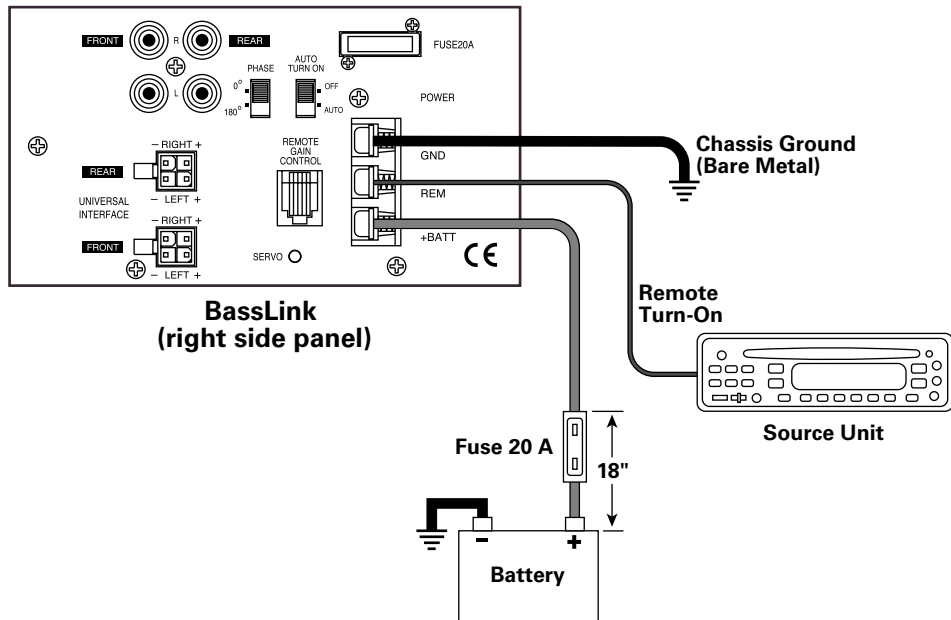
Connect power to BassLink, as shown in Figure 5. Also observe these installation tips:

- Use at least #12 AWG wire for the +BATT (+12 Vdc) and GND (ground) connections. If needed, use at least a #20 AWG wire for the REM (remote) connection.
- Route all power wires through a grommet in the vehicle's firewall. If a factory grommet is unavailable, install one.
- Connect a short GND wire from BassLink to the nearest bare metal surface. For a good connection, scrape away paint from the metal surface and use a screw with a lock (star) washer.

- Install a fuse holder with a 20 A fuse within 18" of the battery + terminal (see Figure 5).
- The REM connection requires +5 to +12 Vdc signal for BassLink to turn on remotely. Most head units with preamp outputs provide this remote voltage signal. For speaker-level applications, a remote connection is not required, since BassLink's Auto Turn-On feature will sense voltage on the speaker wires to automatically turn on BassLink.

IMPORTANT: To enable BassLink's Auto Turn-On feature, set **AUTO TURN-ON** to the **AUTO** position (see Figure 12 on page 6).

Figure 5. Power connections for BassLink.



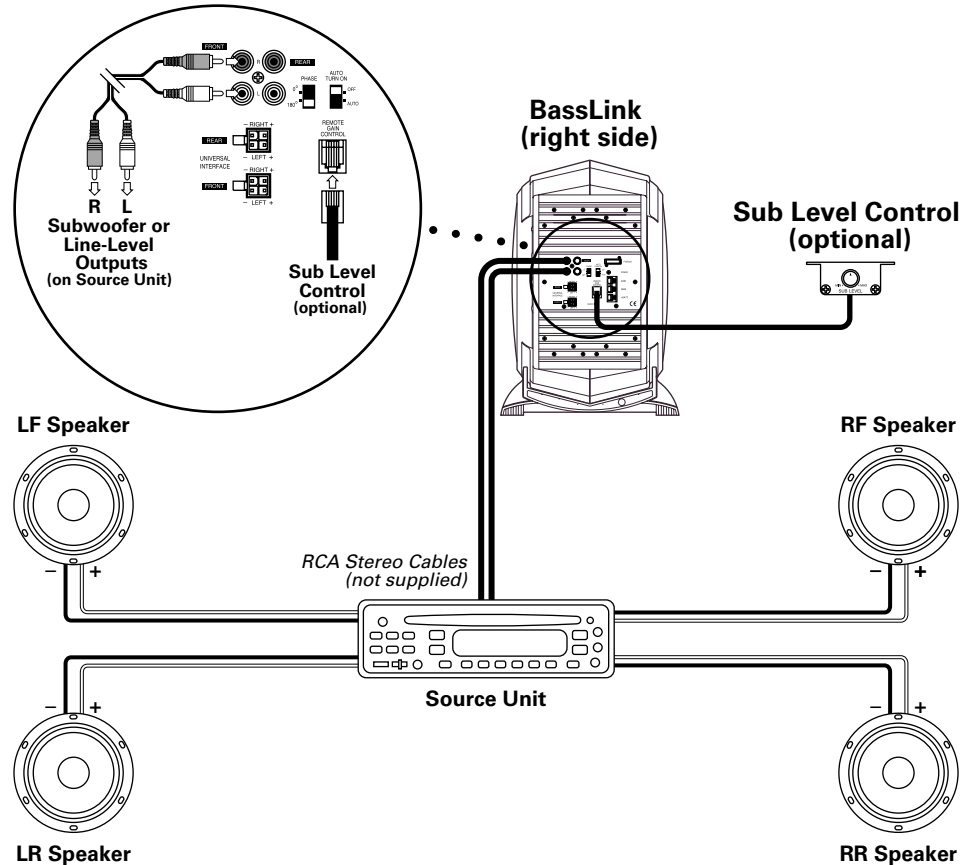
APPLICATIONS

BassLink is equipped with four line-level (RCA) inputs and four speaker-level inputs. Any combination of line-level and speaker-level inputs may be used to provide nonfading bass when connected to a head unit with four outputs.

To help you plan your installation, we included five system applications in Figures 6 through 10 on pages 3 through 5. For more system ideas, see your authorized Infinity car-audio dealer.

Note: The applications show the optional remote SUB LEVEL control which installs under the dashboard for easy in-car bass level adjustments.

Figure 6. BassLink audio connections for a head unit with two line-level or subwoofer (RCA) outputs.



APPLICATIONS (CONTINUED)

Figure 7. BassLink audio connections for a head unit equipped with four line-level (RCA) outputs.

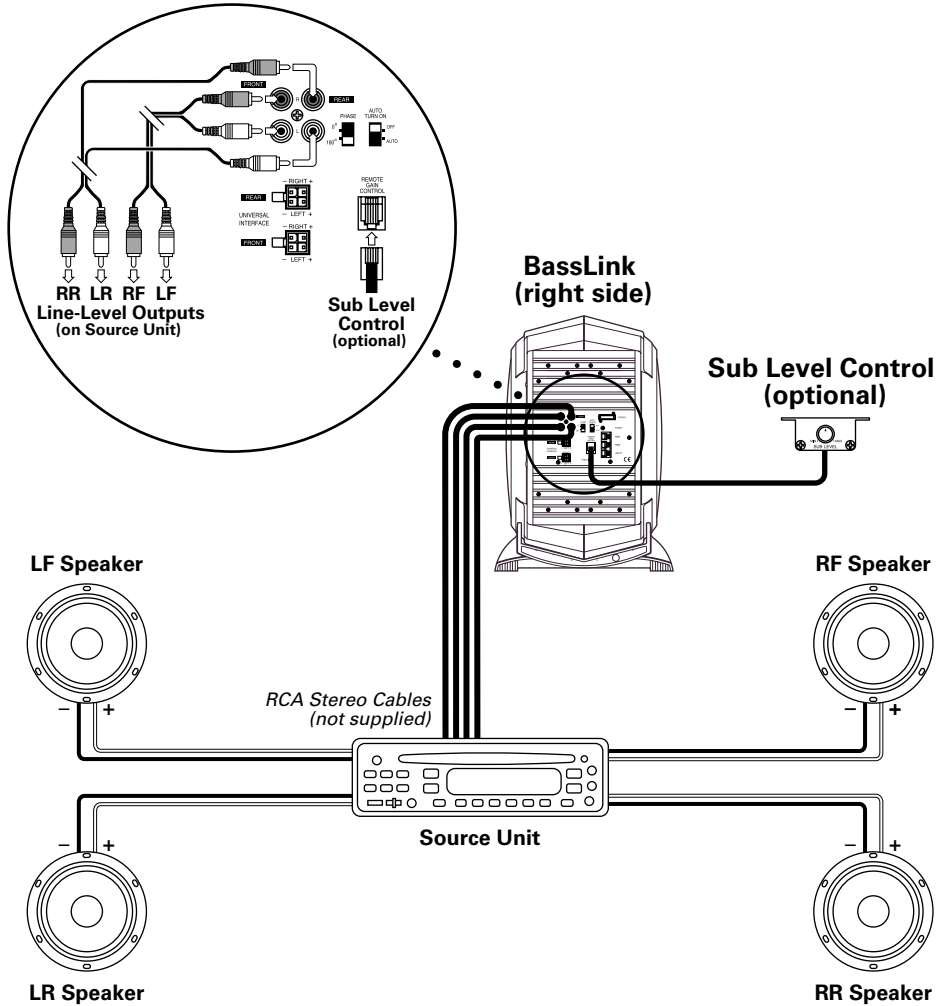
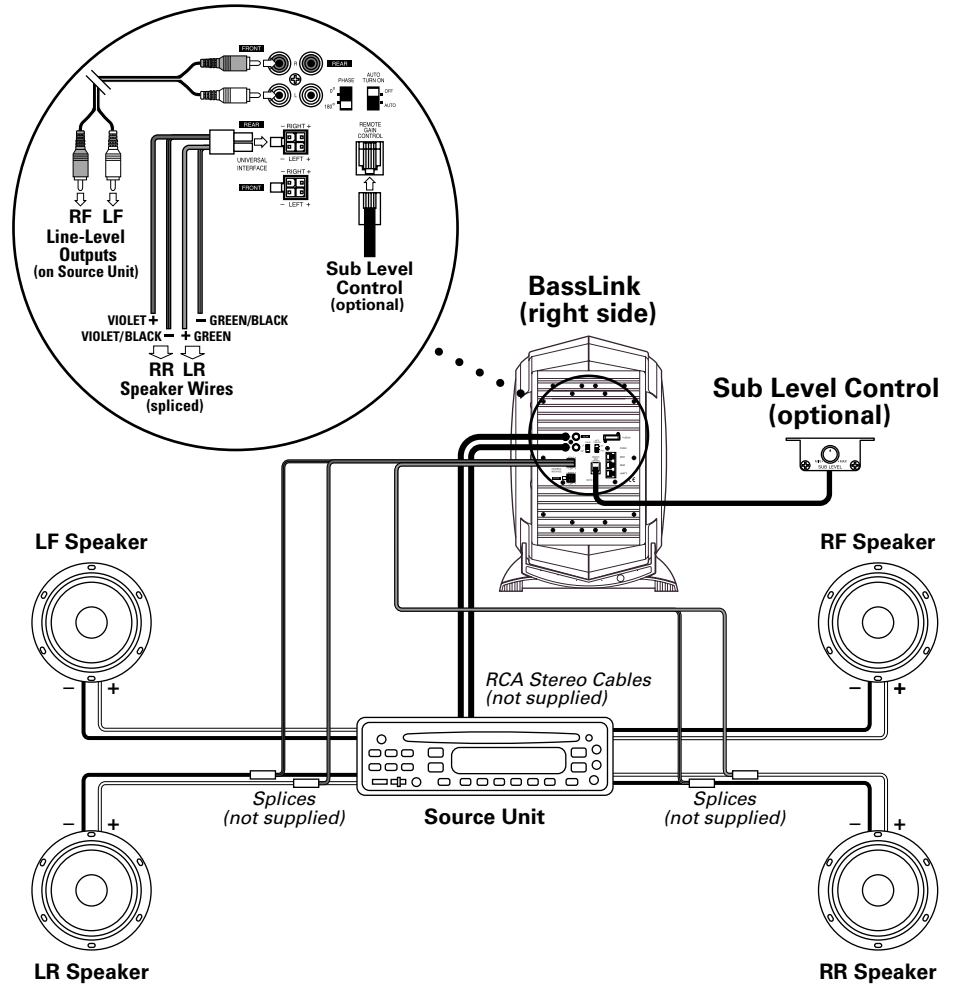


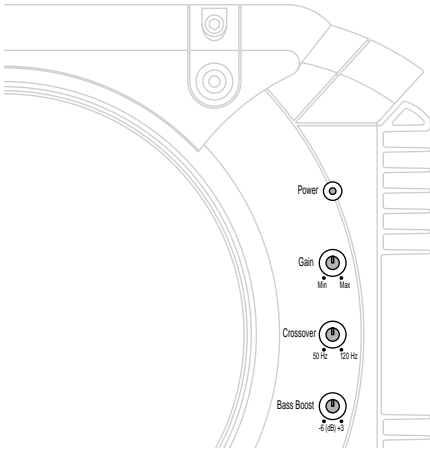
Figure 8. BassLink audio connections for a head unit equipped with two line-level (RCA) outputs and two speaker-level outputs.



CONTROLS AND FUNCTIONS

BassLink provides several controls and indicators that simplify sonic integration with virtually any vehicle's unique acoustic properties. They are located on the front and side panels, as shown in Figures 11 and 12.

Figure 11. BassLink controls on the front panel.



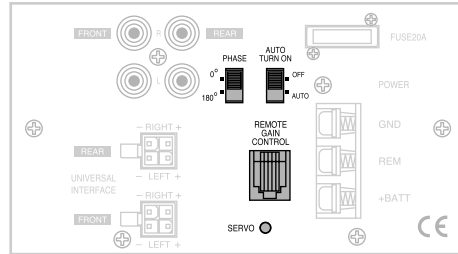
POWER LED: This indicator will glow red when BassLink is operational. (Blue on Basslink X)

GAIN Control: Use this control to adjust the relative volume (loudness) of BassLink with respect to the other speakers in the vehicle.

CROSSOVER: Use this control to adjust the amount of high-frequency information present in BassLink's output. A lower value signifies less high frequencies will be amplified.

BASS BOOST: Use this control to correct any perceived peak or dip in the bass response (typically around 40Hz in most vehicles). Set the control to any value between -6dB and +3dB, according to what sounds best.

Figure 12. BassLink controls on right side panel.



PHASE Control: Use this switch to reverse the phase of BassLink's output with respect to its input. Choose the position (0° or 180°) that sounds the best.

Note: Depending on BassLink's orientation and location in a vehicle, reversing the phase may (or may not) increase or decrease the amount of upper bass being reproduced.

AUTOTURN-ON: For speaker-level connections, use this switch to activate (or deactivate) BassLink's automatic turn-on circuit. For most speaker-level applications, slide the switch to AUTO. However, if your system produces false turn-on signals or uses a remote (REM) connection, slide the switch to OFF.

REMOTE GAIN CONTROL: Use this RJ-11 jack to connect the optional remote SUB LEVEL control.

SERVO LED: This indicator glows green when the subwoofer is at maximum excursion and the amplifier is modifying the output to maintain maximum performance. Be sure to monitor this indicator during BassLink setup (see *Tuning BassLink*). When properly tuned, the SERVO LED should light momentarily during high-level bass transients. Avoid adjustments that cause the LED to remain lit for extended periods.

TUNING BASSLINK

1. Make sure the head unit is off and its volume control is set to minimum.
2. On BassLink's front panel, initially set all controls to their midpoint positions, as shown in Figure 11. On BassLink's side panel, initially set PHASE to 0° and AUTO TURN-ON to AUTO, as shown in Figure 12.
3. Turn on the head unit and play a favorite music track that has substantial bass. Set the volume control to 75 percent of the total output (approximately 3 o'clock on rotary controls).
4. Adjust the GAIN control clockwise until the SERVO LED (on BassLink's side panel) begins to flash with each bass note but doesn't stay lit continuously.
5. Listen to your system, making a mental note of the amount of upper bass being reproduced.
6. Switch the PHASE control to 180° and listen again for upper bass content. There may be more upper bass, less upper bass, or no change at all. The position that provides the most upper bass is correct, but choose either setting according to your taste.

7. Adjust the CROSSOVER control clockwise or counterclockwise until you hear only low-frequency information. For example, you should NOT hear any vocals coming from BassLink when seated in the normal listening position.
8. Adjust the BASS-BOOST control clockwise or counterclockwise to suit your taste.
9. Recheck the SERVO LED to make sure it's flashing in time with the bass but is not lit continuously. If it is lit continuously, adjust the GAIN control counterclockwise until the SERVO LED only flashes.

Note: In most cases, the above steps will provide satisfactory tuning. However, the actual process may require several readjustments of each control, since the settings will interact with each other. If necessary, consult your authorized Infinity car audio dealer for help in tuning your system.

TROUBLESHOOTING

• **PROBLEM:**

POWER LED not lit.

CAUSES and SOLUTIONS:

1. Fuse is blown and needs replacement.
2. Head unit not functioning properly. Check remote voltage, and power, ground or remote connections.

• **PROBLEM:**

POWER LED is lit but there is no bass.

CAUSES and SOLUTIONS:

1. Inputs are not connected. Check connections.
2. Head-unit fader control is not set properly. Adjust head-unit fader control to feed audio signals to BassLink.

• **PROBLEM:**

BassLink sounds muddy or distorted.

CAUSES and SOLUTIONS:

1. Gain is set too high and SERVO LED is lit constantly. Readjust GAIN control (see *Tuning BassLink* on the previous page).
2. Bass is set too high. Readjust BASS BOOST control (see *Tuning BassLink* on the previous page).
3. Head-unit output is distorted or blown. See your authorized Infinity car audio dealer.

• **PROBLEM:**

No output from BassLink when head-unit fader control set to front or rear (in a 4-channel connection).

CAUSE and SOLUTION:

Input connections are improperly wired. Verify all connections (see *Applications* section)

APPLICABLE TO BASSLINK WITH LEVEL CONTROL JACK AND BASSLINK X ONLY:

• **PROBLEM:**

BassLink turns on before head unit is completely on and produces a “thump” sound.

CAUSE and SOLUTION:

For speaker-level connections, head unit is producing a false turn-on signal. On BassLink’s side panel, slide AUTO TURN-ON to OFF.

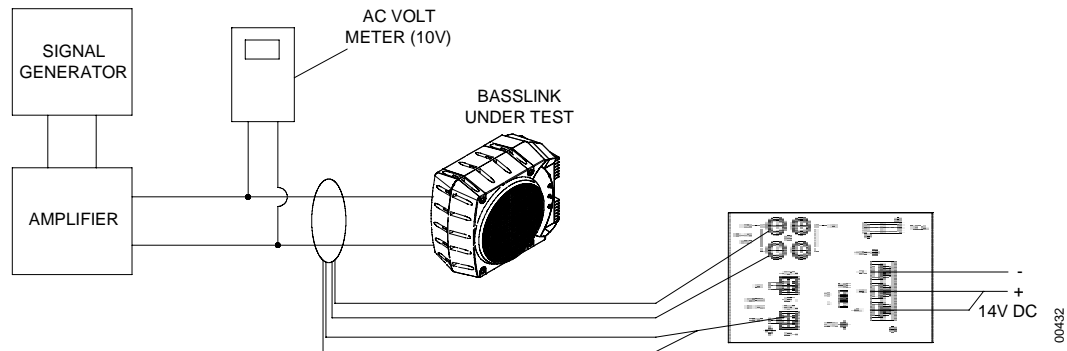
• **PROBLEM:**

BassLink’s POWER LED remains on after head unit is turned off.

CAUSE and SOLUTION:

For speaker-level connections, this is normal operation when AUTO TURN-ON is set to ON. BassLink will remain on another 5 to 10 minutes after sensing that audio signals are not present before shutting down. If you prefer immediate shut-down, set AUTO TURN-OFF to OFF.

Test Set Up Procedure



Equipment needed:

- Function/signal generator/sweep generator
- Integrated/Power Amplifier (capable of driving 2 ohm loads)
- 14 volt DC power supply 20A or greater with current-limit protection
- Multimeter
- RCA cable, Universal Interface molex connector, Speaker cables

General Unit Function (UUT = Unit Under Test)

Switch/Controls:

GAIN control full counterclockwise (Min)
 CROSSOVER full clockwise (120 Hz)
 BASS BOOST at center (12 o'clock)
 PHASE, AUTO-ON - either position

- 1) From the signal generator, connect one line level (RCA) cable to the Basslink Line Level Input jacks (Front,L/R) on the UUT. Use a Y-cable from a mono source if necessary to connect to both inputs.
- 2) Turn on generator, adjust to **100mV, 40 Hz**.
- 3) Attach 14v DC source to Power terminals on UUT, including +14v to Remote connection. Red LED should ON. Turn LEVEL control full clockwise (Max)
- 4) Bass response should be heard and felt. Green servo light should not be illuminated.
- 5) Adjust the generator to **175mV, 40 Hz**. Green servo light should turn ON. **DO NOT DRIVE THE BASSLINK FOR MORE THAN A FEW SECONDS AT THIS LEVEL OR THE UUT MAY GO INTO THERMAL PROTECTION**
- 6) Turn off generator, turn GAIN control fully counterclockwise, disconnect RCA cable.
- 7) Optional: Attach the Universal Interface molex connector (Infinity part# 162A600D001) to the Basslink Universal Interface Jack (Front,L/R) on the UUT. Both front/rear negative wires should be twisted and connected together; positive wires should be treated likewise. Cables should be connected to an integrated amplifier fed by the signal generator.
- 8) Turn on generator and adjust so that speaker level input at the amplifier is **275mV, 40 Hz**. Turn GAIN control full clockwise.
- 9) Bass response should be heard and felt. Green servo light should not be illuminated.
- 10) Adjust the generator to **500mV, 40 Hz**. Green servo light should be ON. **DO NOT DRIVE THE BASSLINK FOR MORE THAN A FEW SECONDS AT THIS LEVEL OR THE UUT MAY GO INTO THERMAL PROTECTION**

Sweep Function

- 1) Follow steps 1-3 above, using a sweep generator as a signal source – adjust the generator to **50mV, 40 Hz**.
- 2) Sweep generator from 20Hz to 300Hz. Listen for any rattles, clicks, buzzes or any other noises. If any unusual noises are heard, test woofer according to the instructions below.

Driver Function

- 1) Remove amplifier from the enclosure; (instructions in bulletin INF2000-03 page 8); detach connector M101 two-wire molex on the main amplifier PCB.
- 2) Check DC resistance of woofer; it should be **2.3 ohms ±10%**
- 3) Connect a pair of speaker cables to woofer terminals. Cables should be connected to an integrated amplifier fed by a signal generator. Turn on generator and adjust so that speaker level output is **6.0V**.
- 4) Sweep generator from 20Hz to 1kHz. Listen to driver for any rubbing, buzzing, or other unusual noises.

Basslink

(Original version without remote
level control jack)

To: All Infinity Service Centers

Model: Basslink (version w/o AUTO-ON switch or REMOTE GAIN)

Subject: Unit will not turn off

In the event you receive a Basslink subwoofer with the complaint: "The unit will not turn off, even when the audio signal is removed, and the Remote power connection is switched off" (indicated by the Basslink's red LED remaining ON), perform the following modification:

- 1) Set the unit on a padded surface and remove all external cables.
- 2) On the amplifier faceplate, remove *only* the (14) Phillips mounting screws as shown in Figure 1.
- 3) Remove the amplifier assembly from the enclosure. If the amp is turned around and supported correctly, no other connectors need to be unplugged.
- 4) Add these two components:
 1.0 Meg ohm 1/8W resistor, Infinity part# **299-1M**
 .01uf, 100v mylar capacitor, Infinity part# **140-PF2A103F**
- Solder these parts in parallel (See Figure 2); and attach to original location shown (See Figure 3), which is in a narrow cavity between main power supply caps and transformer T101. There are two empty pads on the PCB for these parts with marked designators R272 and C273.
- 5) New gaskets must be added to the amplifier mating surface; two pairs are required, four gaskets total: Infinity part# **723D150** and **#723C150**
- 6) Replace the amplifier assembly and tighten all mounting screws. Use caution; a hand tool is recommended to prevent stripping the threads in the enclosure.
- 7) Connect +12v to the unit and a signal cable, after the unit cycles ON, (red LED should be lit), remove the signal and remote connection only (or shut off the music source if using the Universal Interface). Unit should turn OFF after 3 - 10 minutes (as indicated by the red LED turning OFF).

Figure 1

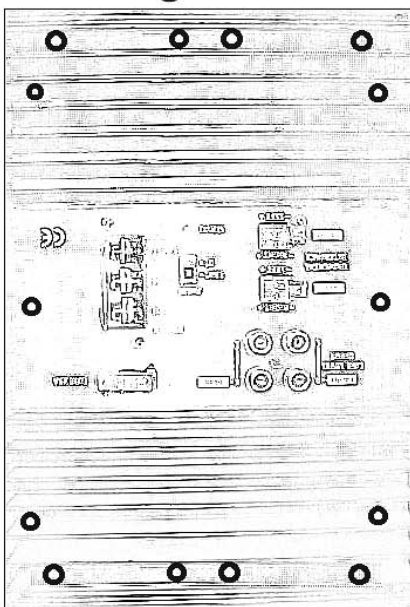
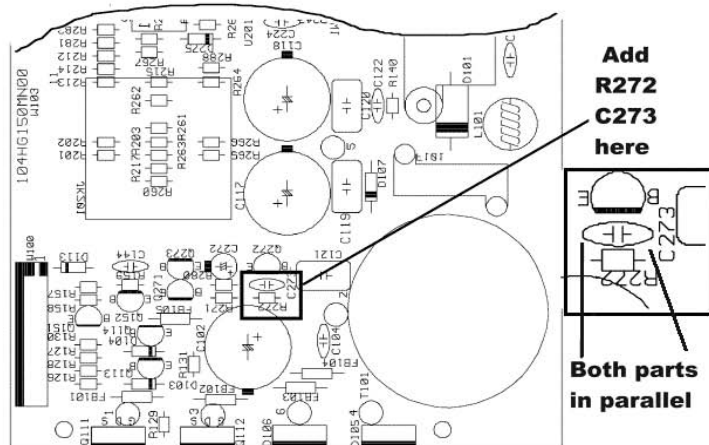


Figure 2

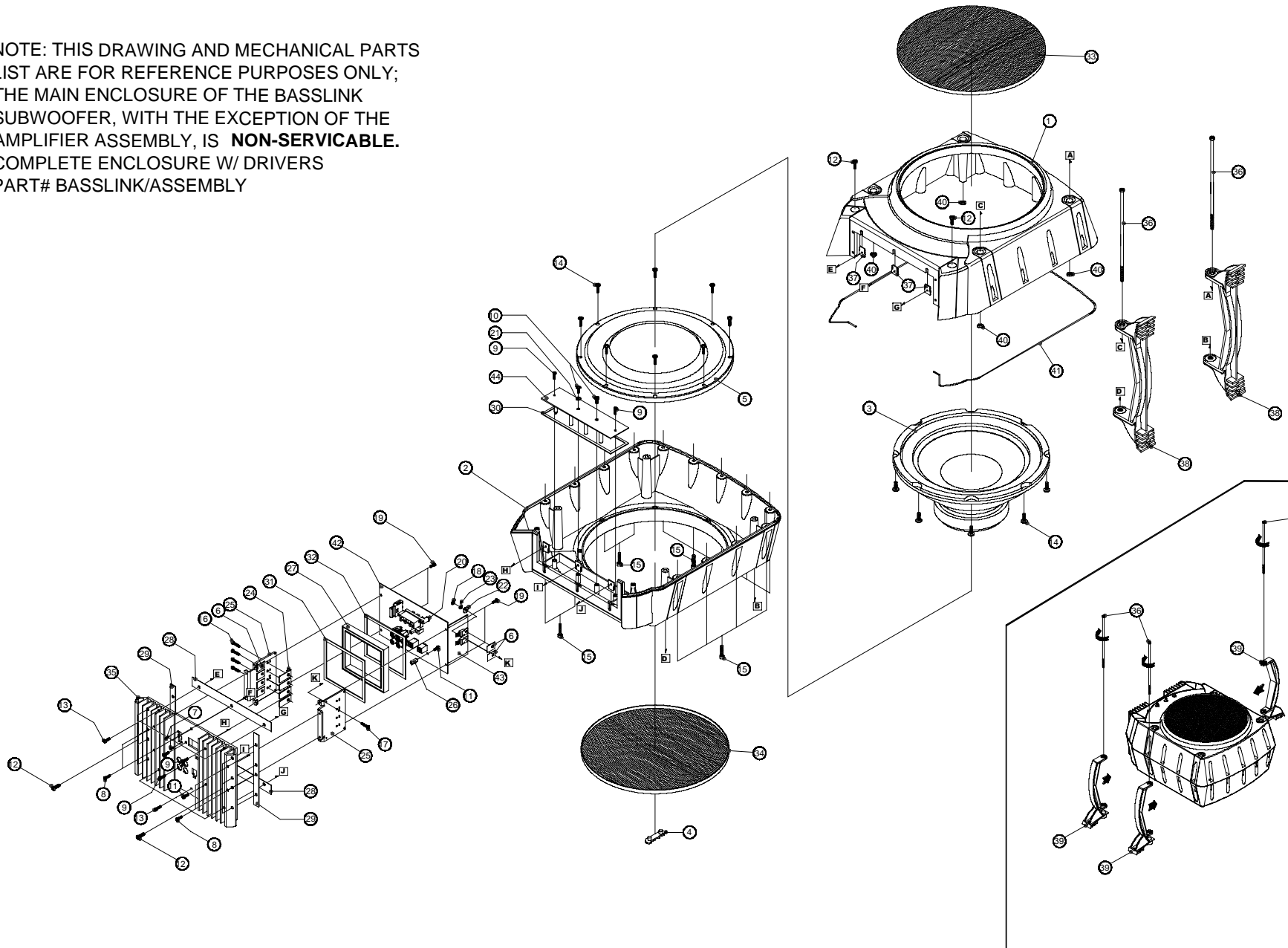


Figure 3



Models	Serial number	Status	Action
Basslink	All serial numbers affected (version w/o AUTO-ON switch or REMOTE GAIN)	The unit will not turn off when the signal is removed, and Remote connection is switched off	Add: R272 1 Meg ohm 1/8W Resistor C273 .01uf 100v Mylar Capacitor New amplifier gaskets #723D150, 723C150

NOTE: THIS DRAWING AND MECHANICAL PARTS LIST ARE FOR REFERENCE PURPOSES ONLY; THE MAIN ENCLOSURE OF THE BASSLINK SUBWOOFER, WITH THE EXCEPTION OF THE AMPLIFIER ASSEMBLY, IS **NON-SERVICABLE**. COMPLETE ENCLOSURE W/ DRIVERS PART# BASSLINK/ASSEMBLY

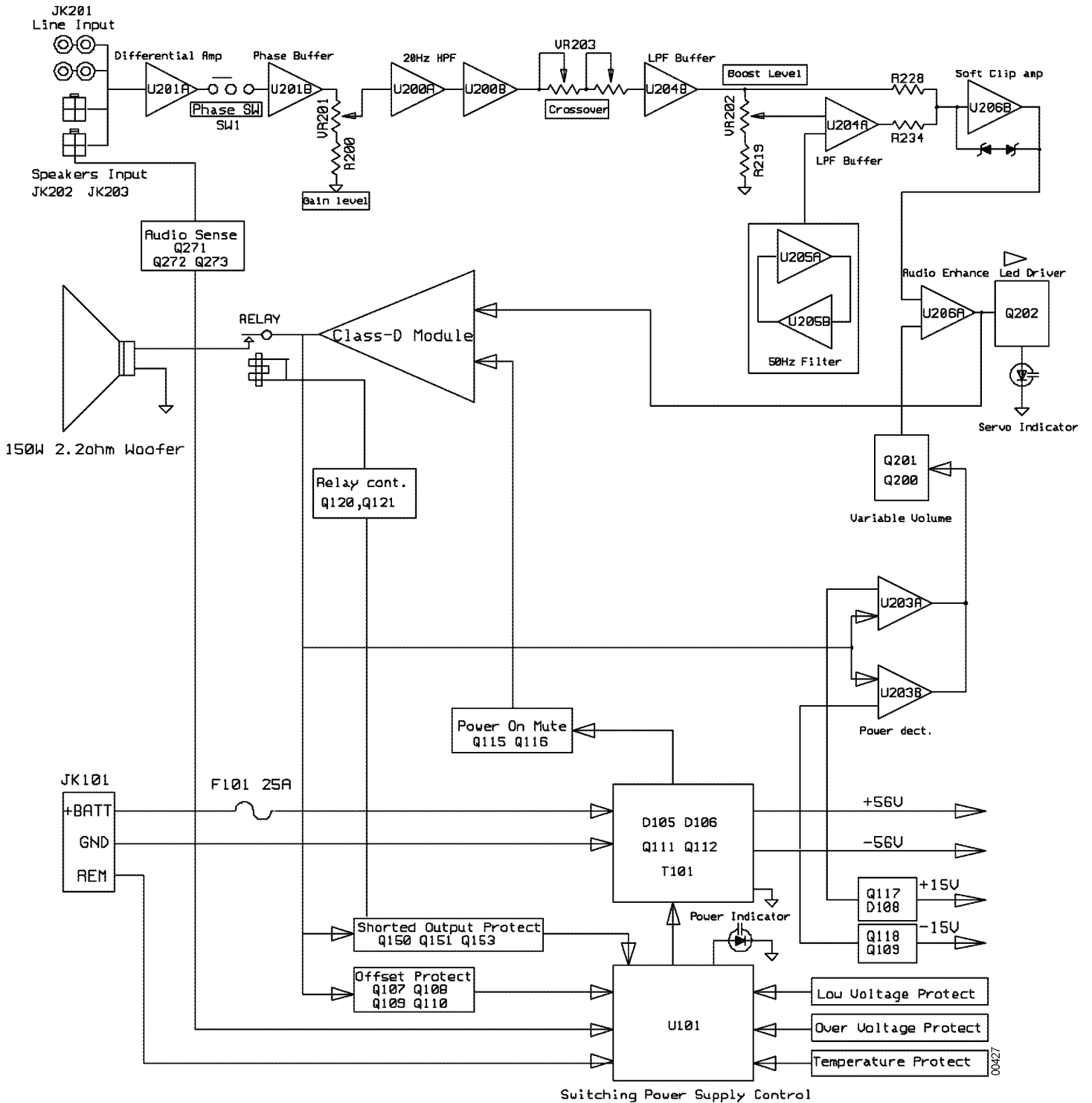


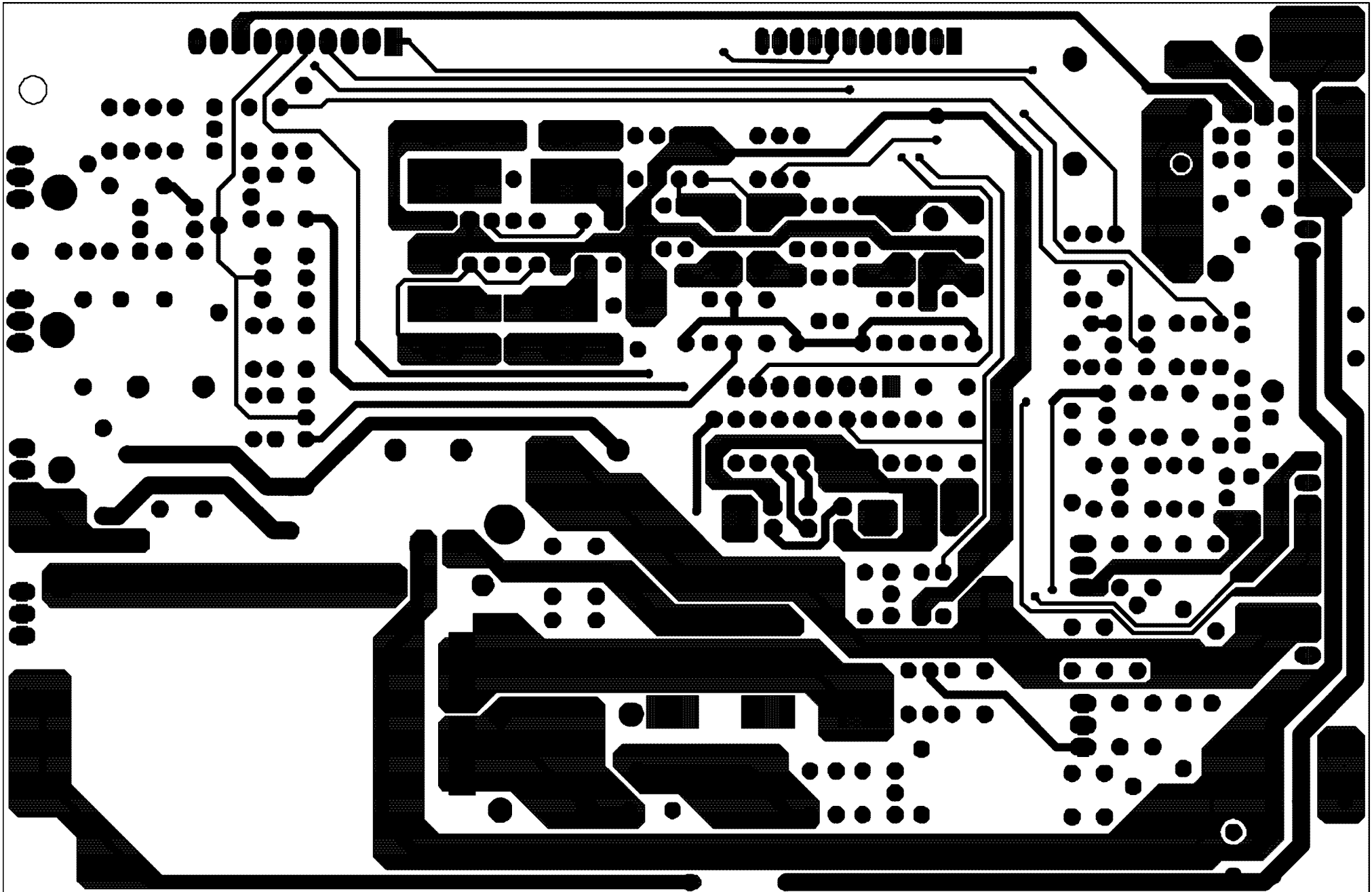
Mechanical Parts List

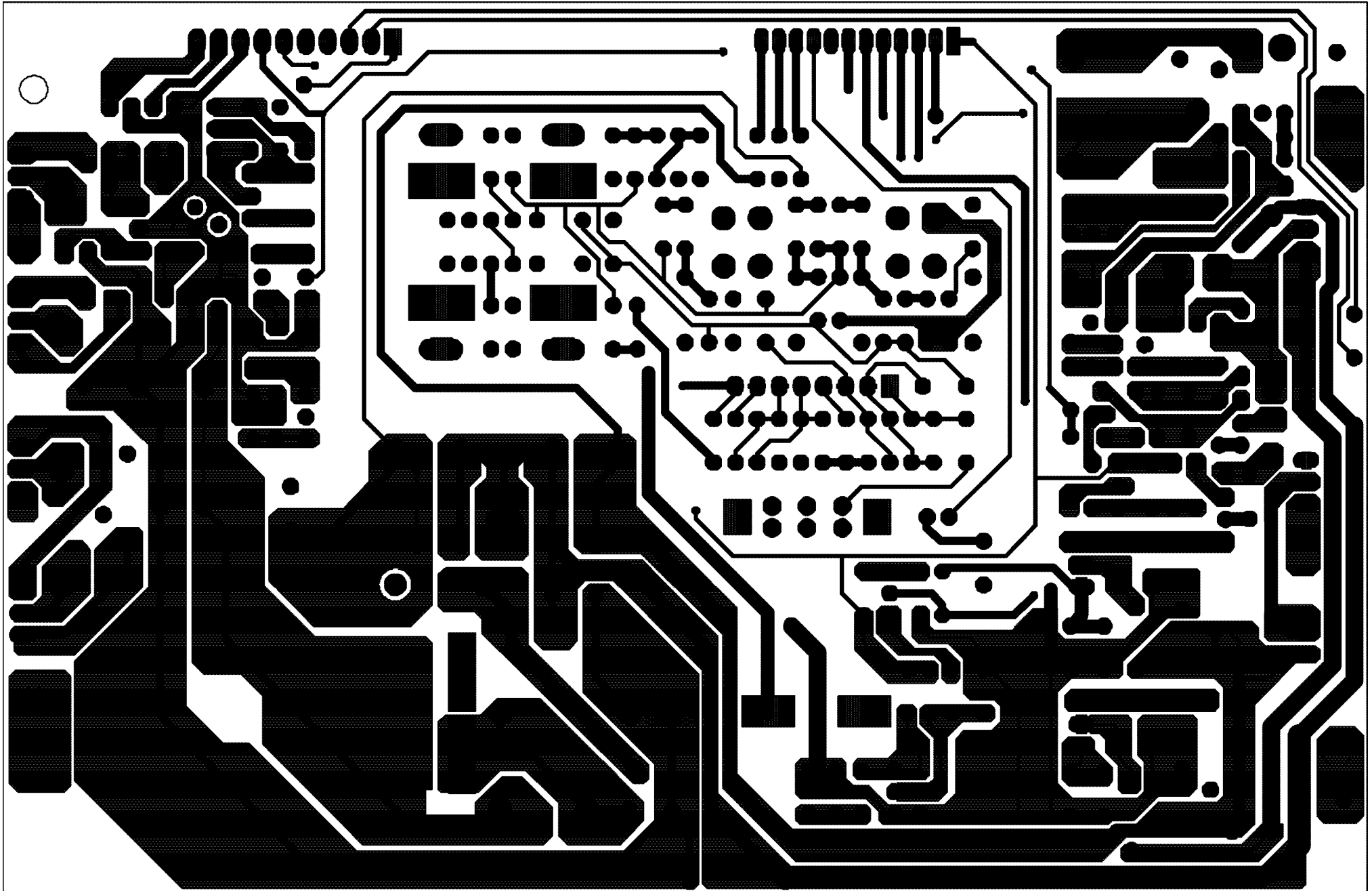
REF.No.	PARTS No.	DESCRIPTION	QTY
1	700lc150	LOWER COVER 366.5x322x1015H BLACK ABS	1
2	700tc150	TOP COVER 366.5x322x10525H BLACK ABS	1
3	F25J12PF-01DW	WOOFER 10" 4 ohm	1
4	SZ579-1	BRAND LOGO (INFINITY)	1
5	PR-25001	INFINITY PASSIVE RADIATOR	1
6	1932M1813	MICA SEGMENT TO-220 18x13mm	6
7	06-T21001	SCREW 2 x10mm P TYPE	2
8	06-T30804	TAPPING SCREW 3x8mm	4
9	06-T31004	SCREW M3x10mm	5
10	06-T31014	TAPPING SCREW 3x10mm P TYPE	2
11	06-M30809	SXREW M3x8xP0.5 TYPE C	2
12	06-T41209	TAPPING SCREW 4x12mm P TYPE	10
13	06-M31204	SCREW M3x12mm TYPE C	6
14	06-T41403	SCREW 4x14mm P TYPE	16
15	06-T42009	SCREW 4x20mm	13
16	06-M31204	SCREW M3x12mm	4
17	06-M31603	SCREW M3x16mm	1
18	06-N3H01	HEXAGON NUTS M3	1
19	06-T30804	SCREW 4x8mm	4
20	06-W03P02	FIBER WASHER 3mmx8mmx0.3T	2
21	06-W03P03	FIBER WASHER 3mmx8mmx0.5T	3
22	06-W04P01	FLAT WASHER 10mmx4.2mmx0.8T	1
23	652M3T03	SOLD LUG M3 T=0.3	1
24	650IH125	IC HOLDER	4
25	653HS150	HEAT SINK 78x62.9x18.5x2.5T	2
26	712PS150	PCB SPACE 6.3øx12L	1
27	700SH150	SPACE HOLDER	1
28	723D150	EVA PACKING (D) 182.5x18.5x1T	2
29	723C150	EVA PACKING (C) 143x10.75x1T	2
30	723E150	EVA PACKING (E) 39.2x4x1T	1
31	725B150	RUBBER PACKING	1
32	725C150	RUBBER PACKING	1
33	631PM150-1	EUNCH MESH 3øx4Px1T BLACK	1
34	631PM150	EUNCH MESH 3øx4Px1T BLACK	1
35	640RP150A	REAR PANEL 228x143x27x3T	1
36	650HB150	IN HEX-BOLT M5x0.8Px180L	4
37	650SN150	SPEED NUT 16x13x1T SECC 20/20	6
38	703BV150	BRACKET (V) 255x64.5x33x5T BLACK	2
39	703BH150	BRACKET (H) 215.7x81x33x5T SILVER	4
40	723A150A	EVA PACKING (A) 9.5øx2T	4
41	725A150	RUBBER SEAL 2.5øx1100L	1
42	NLA-REPAIR	MAIN ASS'Y PCB	1
43	1010DS150-1	AMP-SMD ASS'Y	1
44	NLA-REPAIR	TONE CONTROL PCB ASS'Y	1

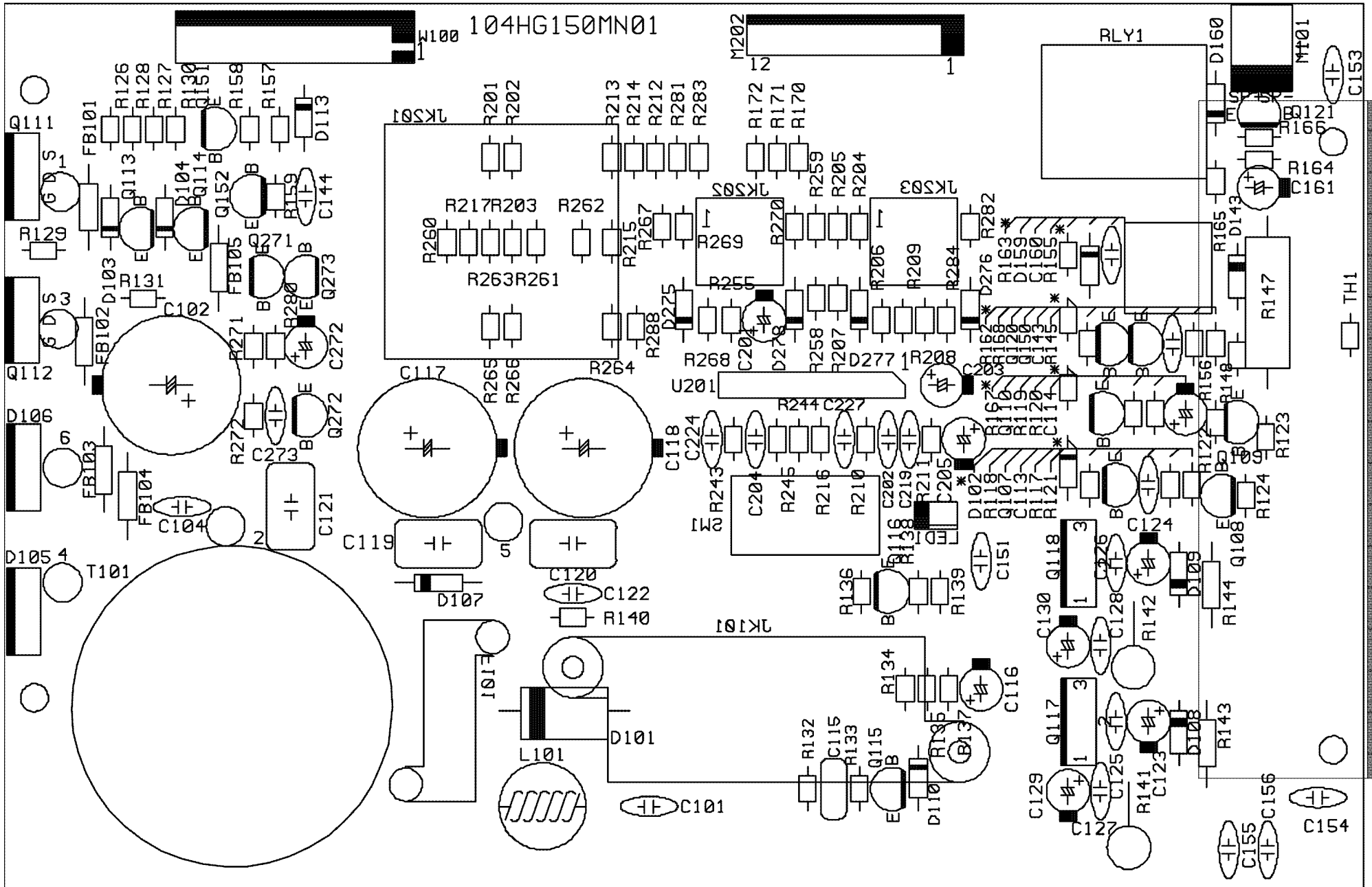
00426

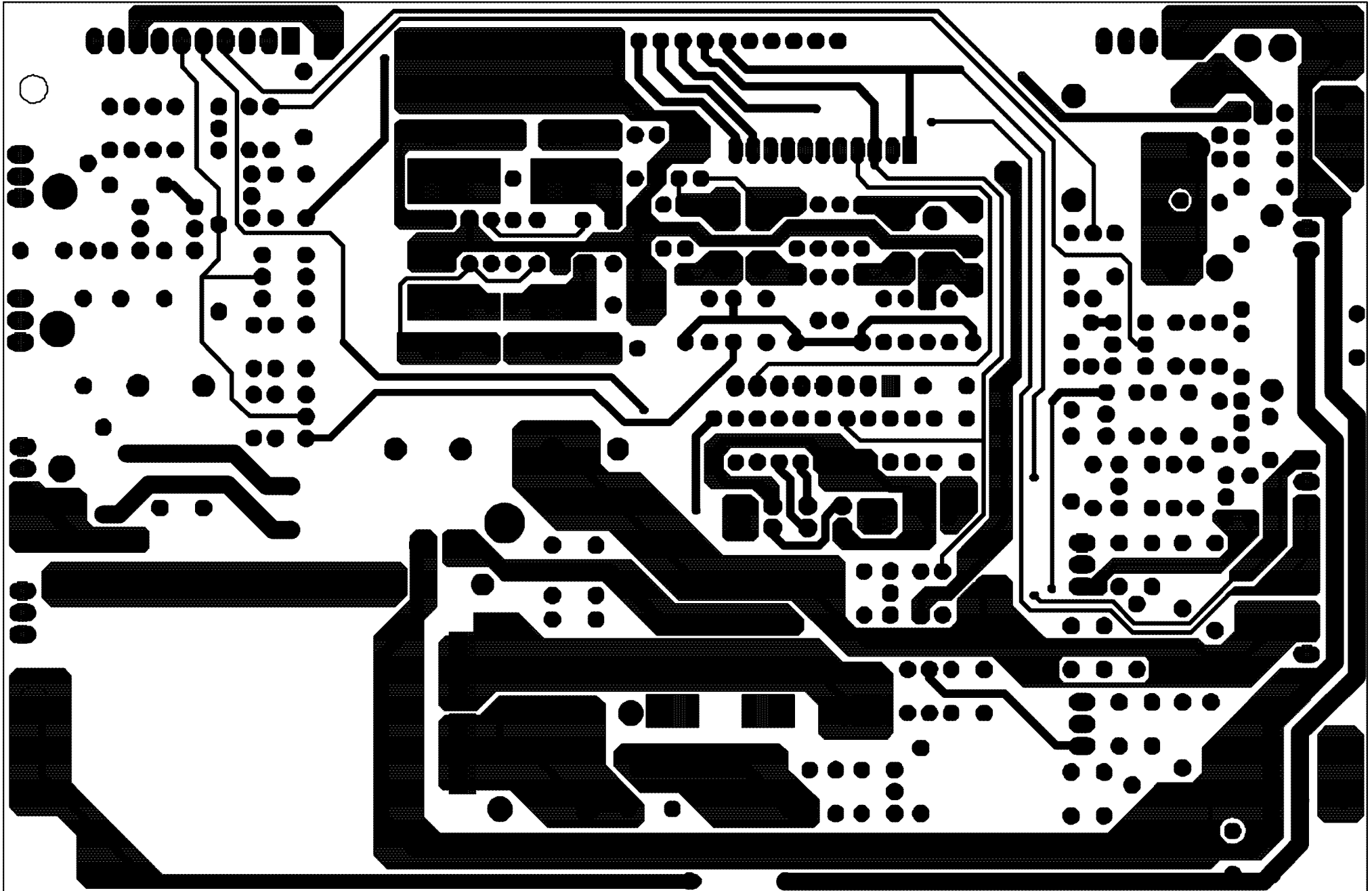
Block Diagram



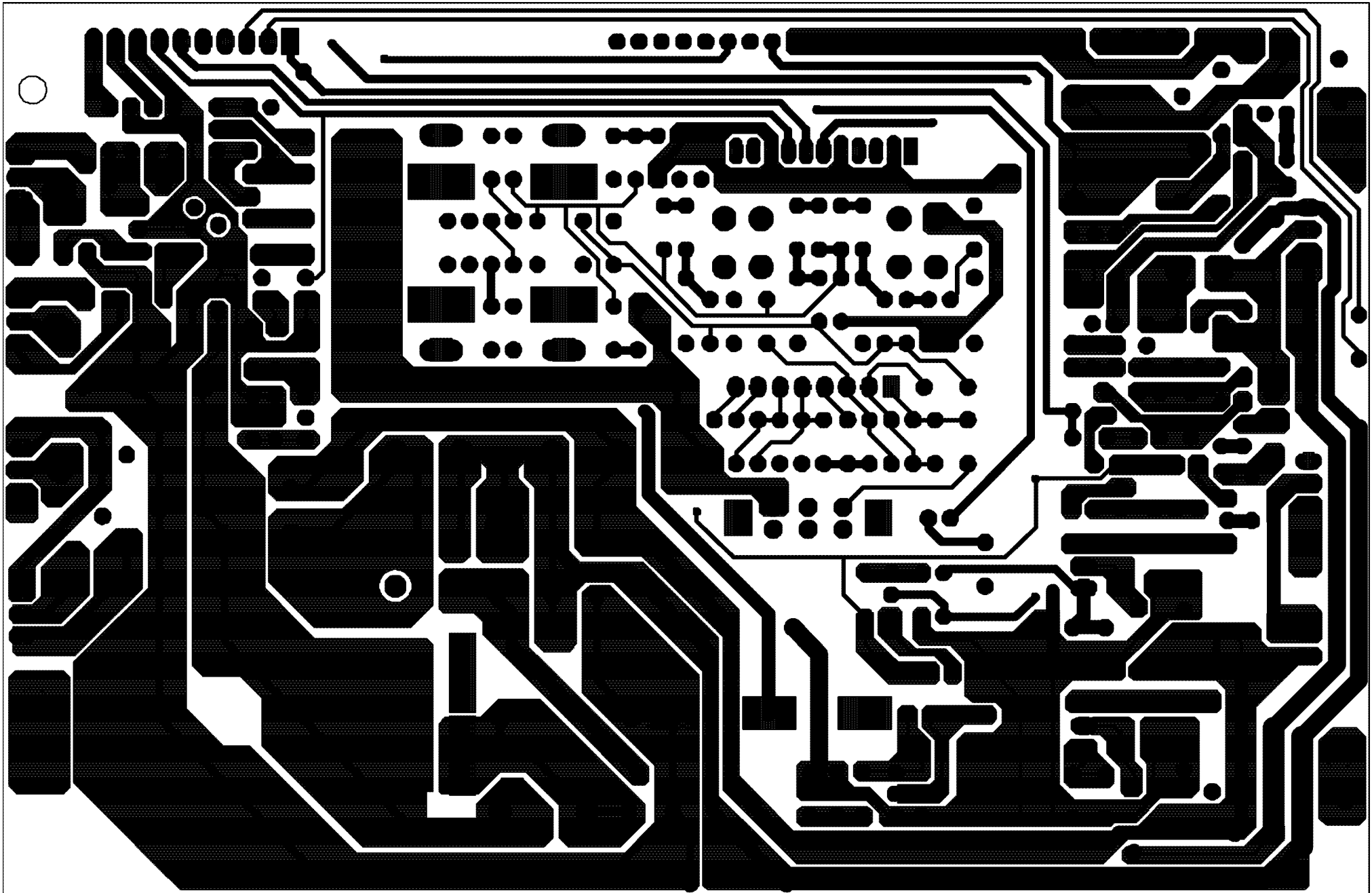


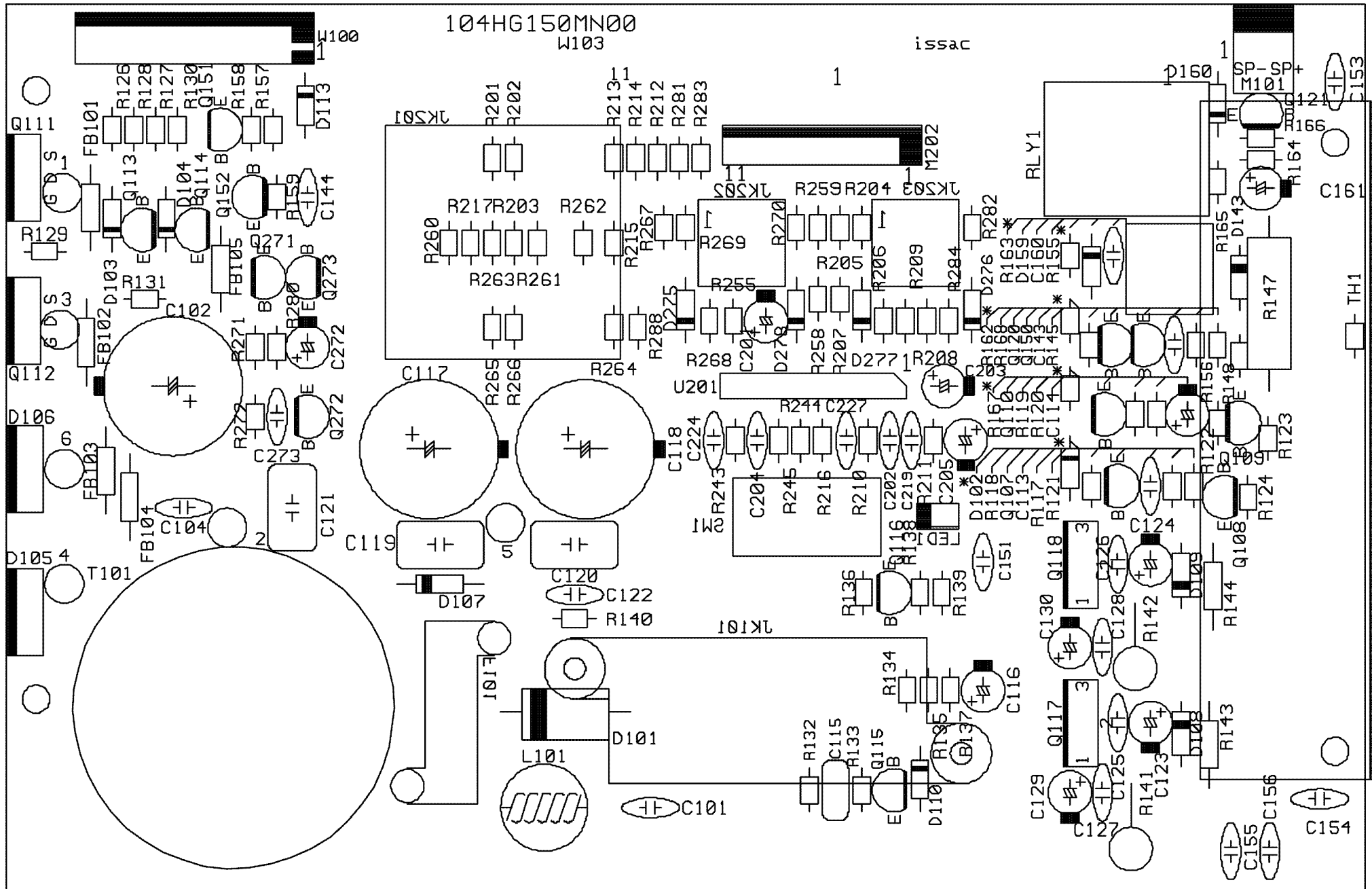


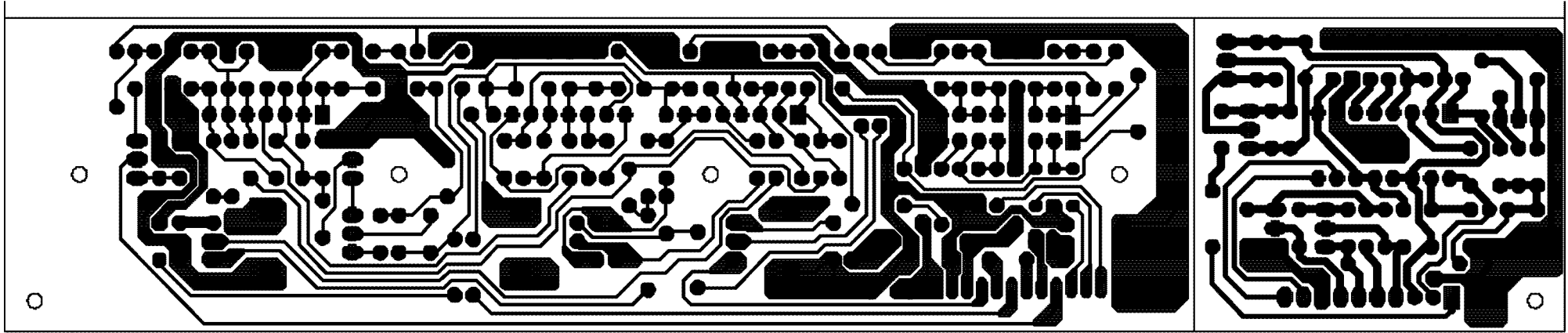




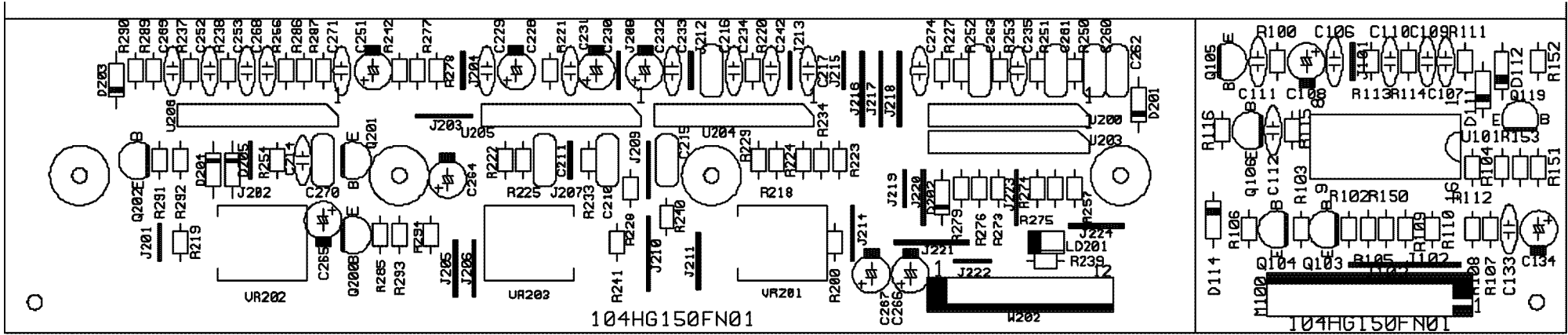
00428-4





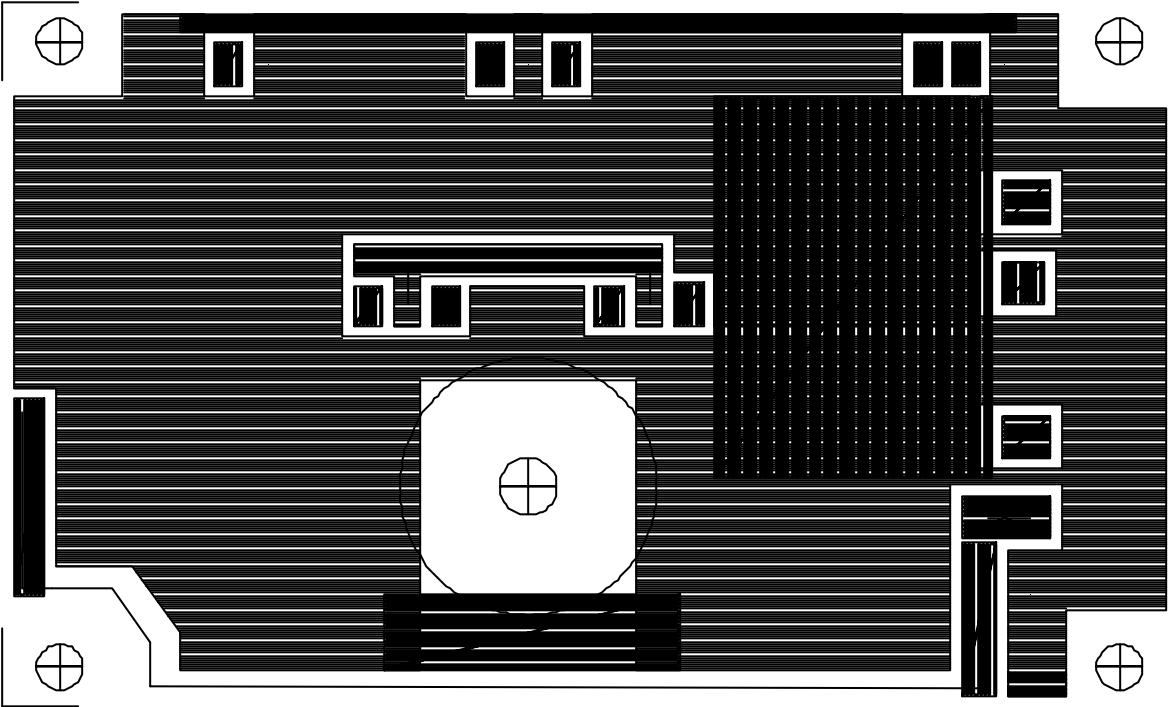
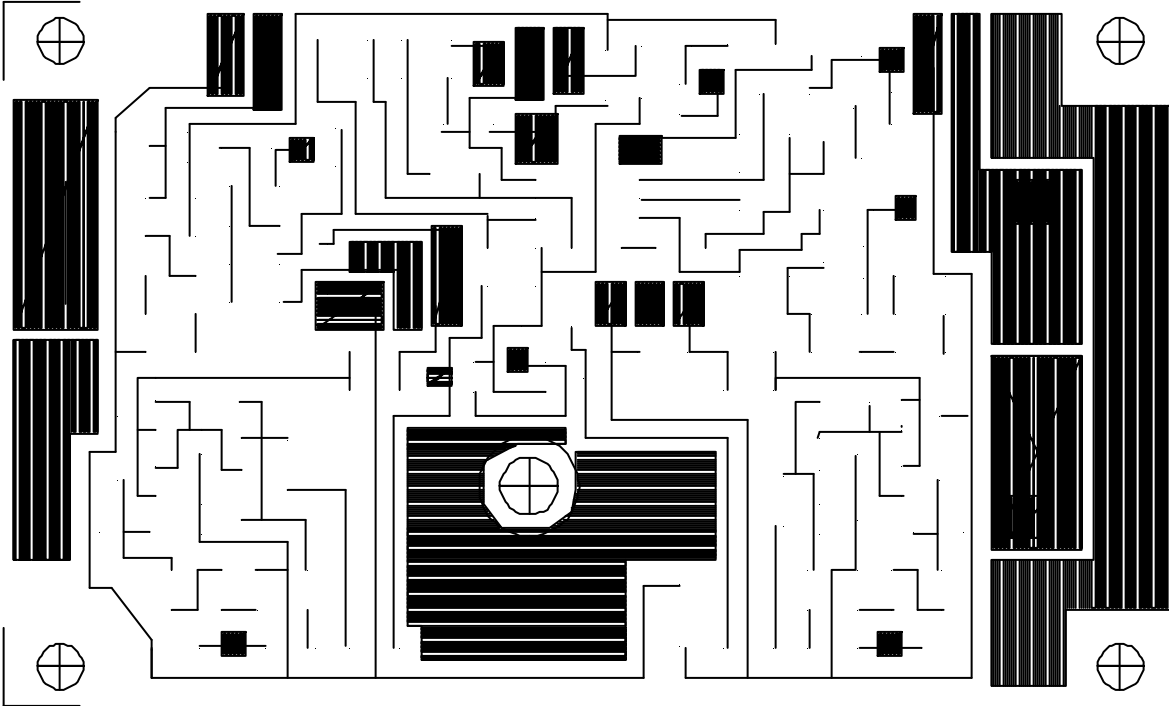


00428-7



00428-8

Power Amp PCB (Cont'd)



Electrical Parts List

Part#	Reference Designator	Qty	Description
Main PCB			
Resistors			
11016472j26	R212,R217,R281,R282,R283,R284 R260,R288	8	RES,CB 4.7K 1/6W ±5%
11016103j26	R117,R118,R119,R122,R123,R124 R132,R133,R137,R138,R140,R166 R167,R168,R201,R204,R208,R213 R265,R266,R269,R270	22	RES,CB 10K 1/6W ±5%
11016470j26	R165	1	RES,CB 47Ω 1/6W ±5%
11016223j26	R121,R134,R164	3	RES,CB 22K 1/6W ±5%
11016393j26	R163,R157	2	RES,CB 39K 1/6W ±5
11016100j26	R162	1	RES,CB 10Ω 1/6W ±5%
11016562j26	R159	1	RES,CB 5.6K 1/6W ±5%
11016102j26	R136,R158	1	RES,CB 1K 1/6W ±5%
11016222j26	R216,R243,R244,R245	1	RES,CB 2.2K 1/6W ±5%
11016182j26	R145	1	RES,CB 1.8K 1/6W ±5%
11016221j26	R156	1	RES,CB 220Ω 1/6W ±5%
11016270j26	R126,R127	1	RES,CB 27Ω 1/6W ±5%
11016104j26	R120,R135,R255	1	RES,CB 100K 1/6W ±5%
11112332j10	R143,R144	1	RES,CB 3.3K 1/2W ±5%
11016473j26	R148	1	RES,CB 47K 1/6W ±5%
11016513j26	R202,R203,R214,R215,R261,R262 R263,R264	8	RES,CB 51K 1/6W ±5%
11016105j26	R280	1	RES,CB 1M 1/6W ±5%
11016106j26	R271	1	RES,CB 10M 1/6W ±5%
11016204j26	R205,R206,R207,R209,R258,R259 R267,R268	8	RES,CB 200K 1/6W ±5%
11016243j26	R210,R211	2	RES,CB 24K 1/6W ±5%
161506520	R171,R170,R172	3	RES,CB 0R JUMPER
11030621jk3	R141,R142	3	RES,MF 620Ω 3W ±5%
11016471j26	R130,R128	2	RES,CB 470Ω 1/6W ±5%
11016101j26	R129,R131	2	RES,CB 100Ω 1/6W ±5%
11202102JK1	R147	1	RES,CB 1k 2W ±5%
11350s68j00	R155	1	RES,CEW 0.068Ω 5W ±5%
1091ttc802j0	TH1	1	NTC,TTC-802(JS)
Capacitors			
1302f104z500	C154	1	CAP, CA Disc 0.1U 50V
1302f104z503	C101,C104,C113,C122,C127,C128 C144,C152,C153,C160,C224,C227	12	CAP, CA Disc0.1U 50V
132273J503	C143	1	CAP, MY 0.027uF 50V 5%
132104kb04	C121	1	CAP, MY 0.1uF 200V 10%
132104JA03	C115,C119,C120	3	CAP, MY 0.1uF 100V ±5%
1353227m10	C161	1	CAP, E 220U 10V ±20%
1353335m50	C116	1	CAP, E3.3uF 50V ±20%
1354108c80	C117,C118	2	CAP, E 1000uF 80V
135433816	C102	1	CAP, E 3300uF 16V ±20%
1353226m50	C201,C203	2	CAP, E 22U 50V ±20%
1353227m16	C272	1	CAP, E 220U 16V ±20%
1353106m50	C205	1	CAP, E 10U 50V ±20%
1353107m16	C129,C130	2	CAP, E 100uF 16V ±20%
1353337m16	C114	1	CAP, E 330uF 16V ±20%

Electrical Parts List (Cont.)

Part#	Reference Designator	Qty	Description
1353476m16	C123,C124	2	CAP, E 47U 16V \pm 20%
1302b221k503	C202,C204,C219	3	CAP, CA Disc 220p 50V \pm 10%
132103ja03	C155,C156	2	CAP, MY 0.01V 100V \pm 5%
Semiconductors			
19006m45581	U201	1	I.C. NJRC NJM4558LD Dual Op-Amp
19510204gd	LD1	1	LED, 3mm Green
192027c1815gr	Q108,Q110,Q115,Q120,Q121,Q151 Q271,Q272,Q273	9	Trans NPN 60V .15A 2SC1815GR
192021d669a	Q117	1	Trans NPN 180V 1.5A 2SD669A
192027c2235y	Q150	1	Trans NPN 120V 0.8A 2SC2235
192028a1015gr	Q107,Q109,Q113,Q114,Q116,Q152	6	Trans PNP 50V .15A 2SC1015GR
192022b649a	Q118	1	Trans PNP 180V 1.5A 2SB649A
19216355ne06	Q111,Q112	2	FET N-CH 60V 50A IRFZ44/STP55NE06
197131n4148	D102,D103,D104,D110,D113,D143 D159,D160,D275,D276,D277,D278	12	Diode 1N4148
19730sf16	D107	1	Diode SF16
197101n5402	D101	1	Diode 1N5402
197301604gd	D105,D106	2	Diode SF1604GD
19915001503	D108,D109	2	Zener 15V 1/2W
Connectors			
1751b08v01	M202	1	Wafer 8Pin PH2.0mm
1759d02v01	M101	1	Wafer 2Pin VH3.96mm
1745te112j	JK101	1	Terminal TE1-12J
1759h04v01	JK202,JK203	2	Wafer 4Pin 4.2mm
174040124bg	JK201	1	RCA JACK JK040124BG
Wires			
162a040d001	W101	1	2Pin spk Wires conn Asy
162a600d001	W202(1-8Pin)	1	8Pin Flat Wire conn Asy
162a600d002	W202(9-12Pin)	1	4Pin Multi-Wires Asy
Miscellaneous			
180p752209	SW1	1	SW SSP752209-25JJ1 PHASE
1201000003	FB104,FB101,FB102,FB103,FB105	5	Ferrite BEAD
154k025a800	F101	1	Fuse ATC 25A
12214050K4160	L101	1	Inductor 5uH/15A
171urwh112d	RLY1	1	RELAY, RWH112D
150r29191501	T101	1	Transformer YT802-007A
1559f30240	F101	1	Fuse holder
Switching Controller PCB			
Resistors			
11016682j26	R113	1	RES, CB 6.8K 1/6W \pm 5%
11016102j26	R103,R115	2	RES, CB 1K 1/6W \pm 5%
11016221j26	R102	1	RES, CB 220 Ω 1/6W \pm 5%
11016222j26	R112	1	RES, CB 2.2K 1/6W \pm 5%
11016681j26	R106,R107	2	RES, CB 680 Ω 1/6W \pm 5%
11016472j26	R111,R116	2	RES, CB 4.7K 1/6W \pm 5%
11016103j26	R108,R110,R151	3	RES, CB10K 1/6W \pm 5%
11016432j26	R105	1	RES,CB4.3K 1/6W \pm 5%

Electrical Parts List (Cont.)

Part#	Reference Designator	Qty	Description
11016104j26	R114,R150	2	RES, CB 100K 1/6W ±5%
11016100j26	R109	1	RES, CB 10Ω 1/6W ±5%
11016123j26	R104	1	RES, CB 12K 1/6W ±5%
11016562j26	R100	1	RES, CB 5.6K 1/6W ±5%
11016183j26	R152	1	RES, CB 18K 1/6W ±5%
11016471j26	R153	1	RES, CB 470Ω 1/6W ±5%
Capacitors			
1302f104z503	C106,C107,C109,C111,C112,C133	6	CAP, CA Disc 0.1uF 50V +80/-20%
1303f272ka04	C110	1	CAP, CA Disc 2700P 100V ±10%
1353226m16	C108	1	CAP, E22U 16V ±10%
1353337m16	C134	1	CAP, E330uF 16V ±10%
Semiconductors			
197131n4148	D114,D111	2	Diode 1N4148
19915000623	D112	1	Zener 6.2V 1/2W
192028a965y	Q103	1	Trans PNP 120V 0.8A 2SA965Y
192028a1015gr	Q105,Q119	2	Trans PNP 50V .15A 2SC1015GR
192027c1815gr	Q104,Q106	2	Trans NPN 60V .15A 2SC1815GR
19301494cn	U101	1	I.C.TI TL494CN PWM
Miscellaneous			
1759f40hr2	M100	1	PIN Header 10Pins 2.54mm
Tone Control PCB			
Resistors			
11016123j26	R227,R234	2	RES, CB 12K 1/6W ±5%
11016103j26	R221,R229,R285,R294	4	RES, CB 10K 1/6W ±5%
11016474j26	R220,R278	2	RES, CB 470K 1/6W ±5%
11016102j26	R219,R222,R233	3	RES, CB 1K 1/6W ±5%
11016393j26	R223	1	RES, CB 39K 1/6W ±5%
11016222j26	R228	1	RES, CB 2.2K 1/6W ±5%
11016204j26	R237	1	RES, CB 200K 1/6W ±5%
11016243j26	R225	1	RES, CB 24K 1/6W ±5%
11016562j26	R238	1	RES, CB 5.6K 1/6W ±5%
11016392j26	R224	1	RES, CB 3.9K 1/6W ±5%
11016223j26	R240,R241,R242,R250,R254,R287	6	RES, CB 22K 1/6W ±5%
11016471j26	R239	1	RES, CB 470Ω 1/6W ±5%
11016153j26	R218,R252	2	RES, CB 15K 1/6W ±5%
11016683j26	R251	1	RES, CB 68K 1/6W ±5%
11016333j26	R253,R277	2	RES, CB 33K 1/6W ±5%
11016122j26	R295	1	RES, CB 1.2K 1/6W ±5%
11016511J26	R200,R256,R286	3	RES, CB 510Ω 1/6W ±5%
11016432j26	R279	1	RES, CB 4.3K 1/6W ±5%
11016755j26	R293	1	RES, CB 7.5M 1/6W ±5%
11016472j26	R275,R276	1	RES, CB 4.7K 1/6W ±5%
11016273j26	R274	1	RES, CB 27K 1/6W ±5%
11016473j26	R257,R273,R290	3	RES, CB 47K 1/6W ±5%
115v503b101	VR201	1	POT 50KΩ GAIN
115v503b101	VR202	1	POT 50KΩ BASS BOOST
115v503b201	VR203	1	POT 50KΩ X 2 LP FREQ.

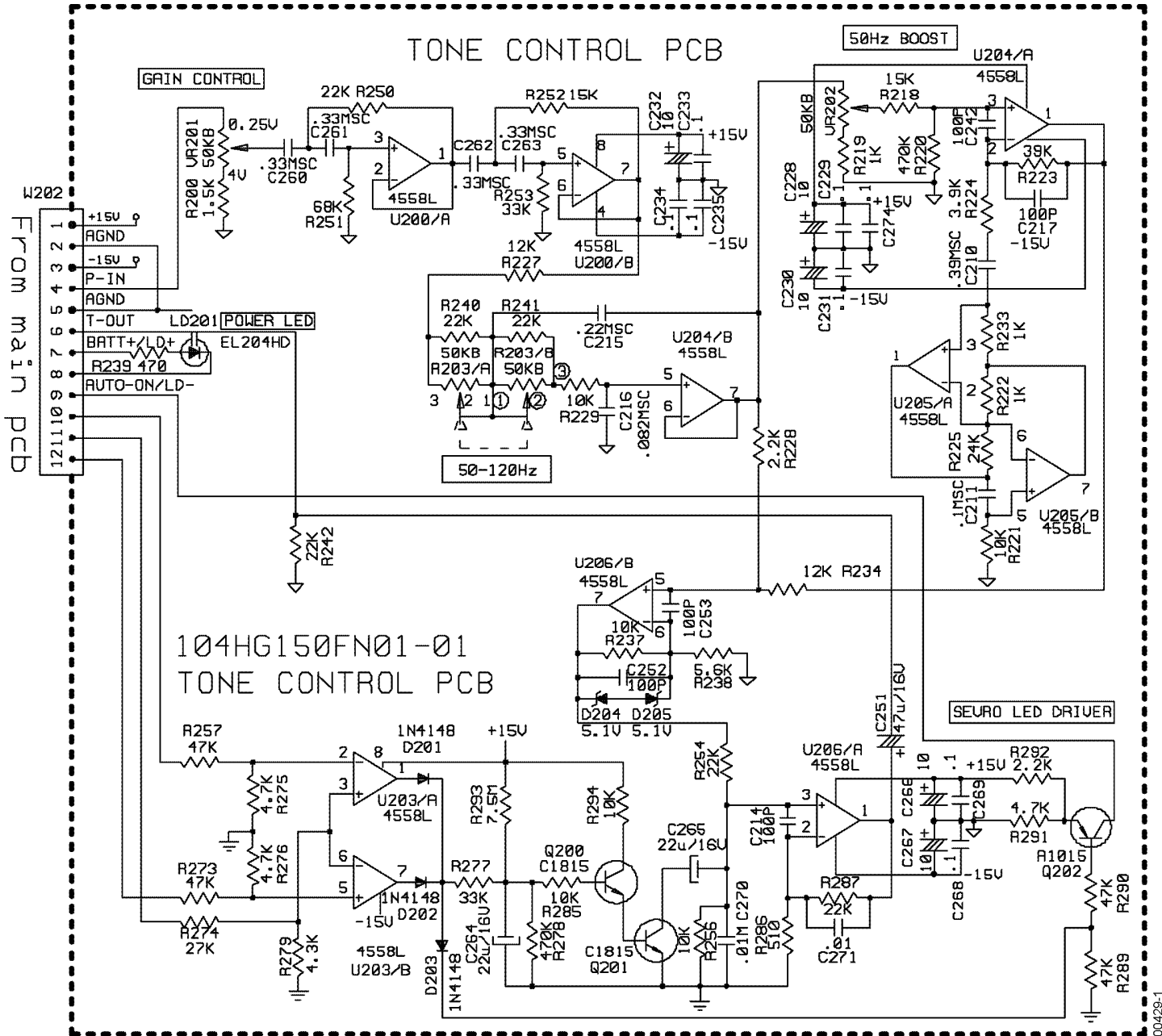
Electrical Parts List (Cont.)

Part#	Reference Designator	Qty	Description
Capacitors			
129a224j633	C215	1	CAP F 0.22uF 63V ±5%
129a823j633	C216	1	CAP F 0.082U 63V ±5%
129a334j633	C260,C261,C262,C263	4	CAP F 0.33uF 63V ±5%
1302b101k503	C214C217,C242,C252,C253	5	CAP CA Disc 100P 50V ±10%
1302f104z503	C229,C231,C233,C234,C235 C268,C269,C274	8	CAP CA Disc 0.1U 50V +80/-20%
132103j503	C270,C271	2	CAP MY 0.01U 50V ±5%
129a104j633	C211	1	CAP F 0.1U 63V ±5%
129a394j633	C210	1	CAP F 0.39uF 63V ±5%
1353106m50	C228,C230,C232,C266,C267	5	CAP E 10U 50V ±20%
1353476m16	C251	1	CAP E 47U 16V ±20%
1353226m16	C264	1	CAP E 22U 16V ±20%
Semiconductors			
19006m45581	U200,U203,U204,U205,U206	5	I.C. NJRC NJM4558L Dual Op-Amp
19510204gd	LD201	1	LED, 3mm RED
192027c1815gr	Q200,Q201	2	Trans NPN 60V .15A 2SC1815GR
192028n1015gr	Q202	1	Trans PNP 50V .15A 2SC1015GR
197131n4148	D201,D202	2	Diode 1N4148
Power Amp PCB			
Capacitors			
141c0101k50	C4	1	CAP, CA 1206 100pF 50V 10%
141c0220k50	C5	1	CAP, CA 1206 22pF 50V 10%
141c0561k50	C6	1	CAP, CA 1206 560pF 50V10%
141c6104m50	C2,C3,C7,C8,C9 C10,C11,C15	8	CAP, CA1206 0.1uF 50V 20%
141c7223k50	C13	1	CAP, CA 1206 0.022uF 50V 10%
141d7104ka0	C12,C14,C18,C19,C20	5	CAP, CA1210 0.1uF 100V 10%
141d7104kb0	C1	1	CAP, NP 1210 0.1uF 200V 10%
128e106ma0,1	C16,C17	2	CAP, E NP 10uF 100V 10%
1302f104z503	C152	1	CAP, CA Disc 0.1uF 50V
Resistors			
1181206100j	R22,R23,	2	RES, 10Ω 1206 5%
1181206100j	R2,R11,R29,R30	4	RES, 1K 1206 5%
1181206103j	R7,R9,R25	3	RES, 10K 1206 5%
1181206122j	R31,R32,R33,R34,R35,R36,R37,R38 R39,R40,R41,R42,R43,R44,R45,R46	16	RES, 1.2K 1206 5%
1181206203j	R26	1	RES, 20K 1206 5%
1181206222j	R6,R13,R16	3	RES, 2.2K 1206 5%
1181206272j	R10	1	RES, 2.7K 1206 5%
1181206301j	R24	1	RES, 300Ω 1206 5%
1181206332j	R14,R15,R27,R28	4	RES, 3.3K 1206 5%
1181206393j	R3	1	RES, 39K 1206 5%
1181206470j	R20,R21	2	RES, 47Ω 1206 5%
1181206471j	R8	1	RES, 470Ω 1206 5%
1181206472j	R1,R5,R12	3	RES, 4.7K 1206 5%
1181206473j	R17	1	RES, 47K 1206 5%
1181206475j	R4	1	RES, 4.7M 1206 5%

Electrical Parts List (Cont.)

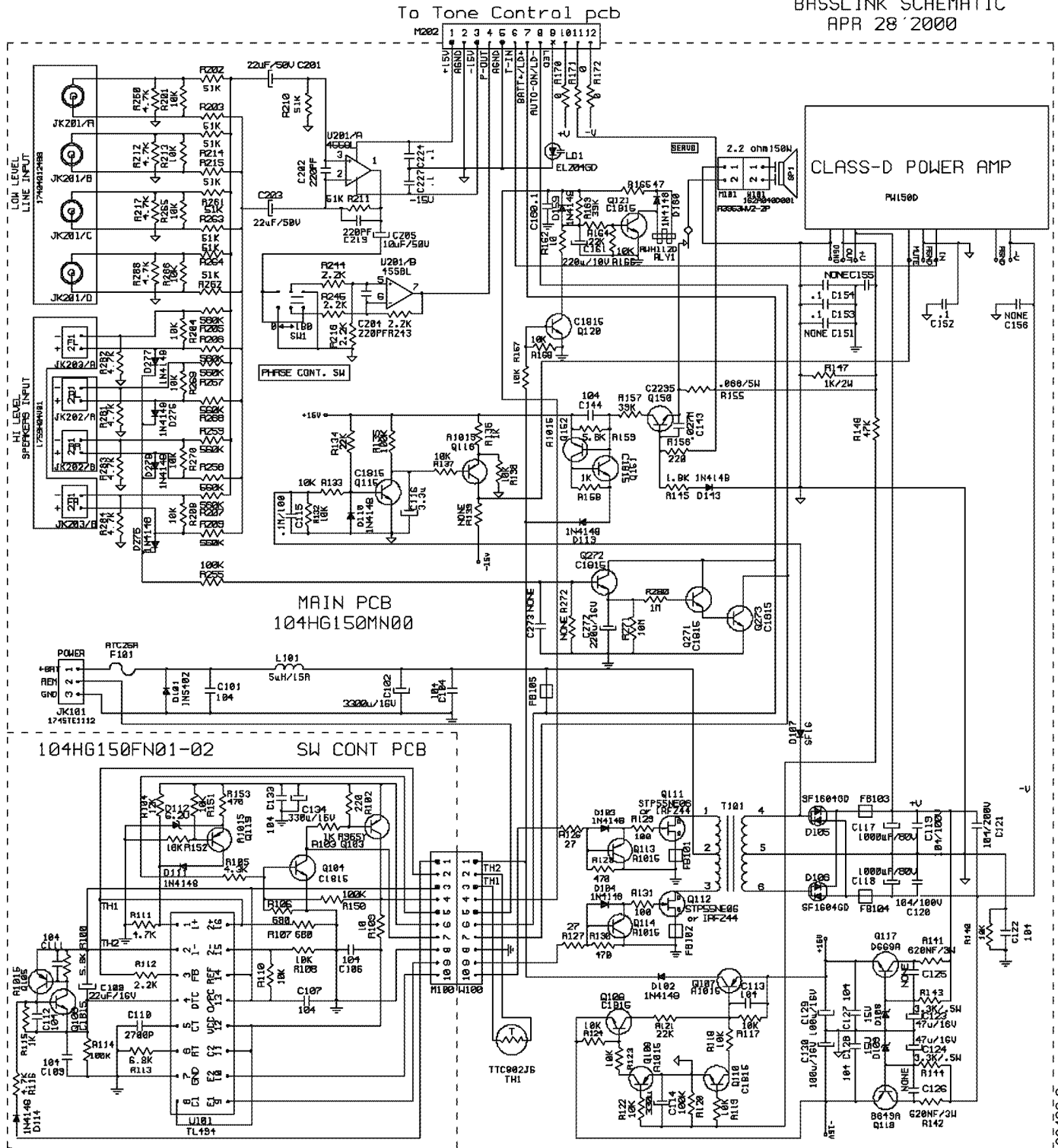
Part#	Reference Designator	Qty	Description
Semiconductors			
19016t1072dts	IC1	1	I.C TL072CDT DualOp-Amp SMD
19209124126qs	Q1,Q4,Q5	3	TRANS, NPN 50V 0.15A 2SC2412K
19209139066qs	Q2,Q8	2	TRANS, NPN 120V 005A 2SC3906K
19209210376qs	Q7,Q9	2	TRANS, PNP 50V 0.15A 2SA1037K
19209215146rs	Q3,Q6	2	TRANS, PNP 120V 0.05A 2SA1514K
19703rls4148s	D1,D2,D3,D4,D5,D6	6	DIODE RLS4148
19915000563s	Z1,Z2	2	ZENER 5.6V 5% BZX84-C5V6
19915001203s	Z5,Z6	2	ZENER 12V 5% BZX84-C12
19915001503s	Z3,Z4	2	ZENER 15V 5% BZX84-C15
192233IRF640	Q11	1	MOSFET IRF640 IR TO220N-CH
192232irf9640	Q10	1	MOSFET IRF9640 IR TO220P-CH
Miscellaneous			
12214121j4180	L1	1	INDUCTOR 120uH
12214350j4180	L2	1	INDUCTOR 35uH
1759f40hr2		1	Pin Header 8Pin 2.54mm

Schematics

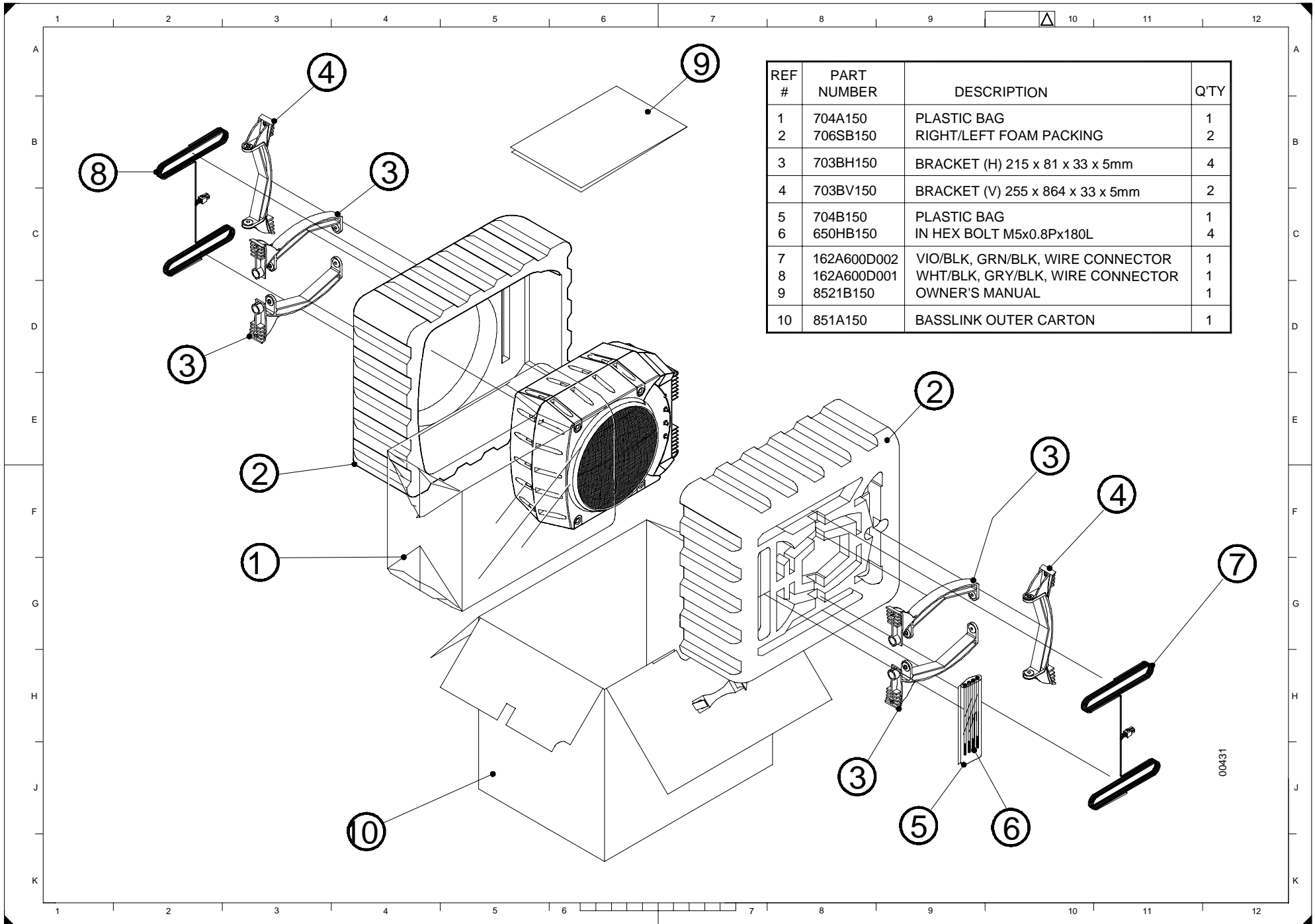


Schematics (Cont.)

BASSLINK SCHEMATIC
APR 28 '2000



00429-2



REF #	PART NUMBER	DESCRIPTION	QTY
1	704A150	PLASTIC BAG	1
2	706SB150	RIGHT/LEFT FOAM PACKING	2
3	703BH150	BRACKET (H) 215 x 81 x 33 x 5mm	4
4	703BV150	BRACKET (V) 255 x 864 x 33 x 5mm	2
5	704B150	PLASTIC BAG	1
6	650HB150	IN HEX BOLT M5x0.8Px180L	4
7	162A600D002	VIO/BLK, GRN/BLK, WIRE CONNECTOR	1
8	162A600D001	WHT/BLK, GRY/BLK, WIRE CONNECTOR	1
9	8521B150	OWNER'S MANUAL	1
10	851A150	BASSLINK OUTER CARTON	1

00431

Basslink

(Version with remote
level control jack)

Basslink X

To: All Infinity Service Centers

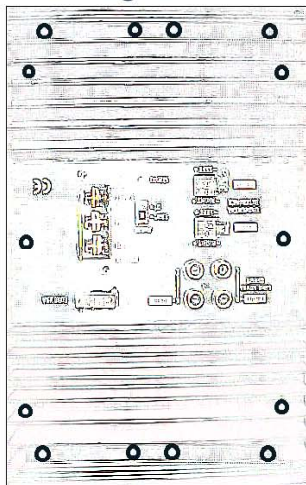
Model: Basslink (version w/ LC - Remote Level Control); Basslink X

Subject: Dead or No Power

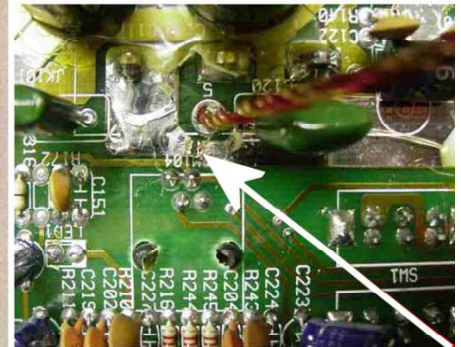
In the event you receive a Basslink subwoofer with the complaint: "The unit is completely dead with no LED indicator, or sound", check the following area on the PCB:

- 1) Set the unit on a padded surface and remove all external cables.
- 2) On the amplifier faceplate, remove *only* the (14) Phillips mounting screws as shown in Figure 1.
- 3) Pull amplifier assembly from the enclosure. Unplug ribbon cable at M202 and Molex speaker connector at M101; remove amplifier.
- 4) Check Main PCB for a damaged (open) trace in the main 12VDC path; see exact location shown in the two illustrations. It is near the large main filter caps, next to braided connection "5" lead from the transformer.
- 5) If the trace is damaged: clean, solder, and bridge the connection with copper solder braid (solder wick used for solder removal), or a short piece of 14 or 12 gauge buss wire.
- 6) After the repair is complete, new gaskets should be added to the amplifier mating surface; two pairs are required, four gaskets total: Infinity part# 333-EVA-00836 and 333-EVA-00827.
- 7) Re-connect the cable and connector, replace the amplifier assembly, and tighten all mounting screws. Use caution: a hand tool is recommended to prevent stripping the threads in the enclosure.
- 8) Connect 12VDC to the unit and test.

Figure 1



AREA OF CONCERN



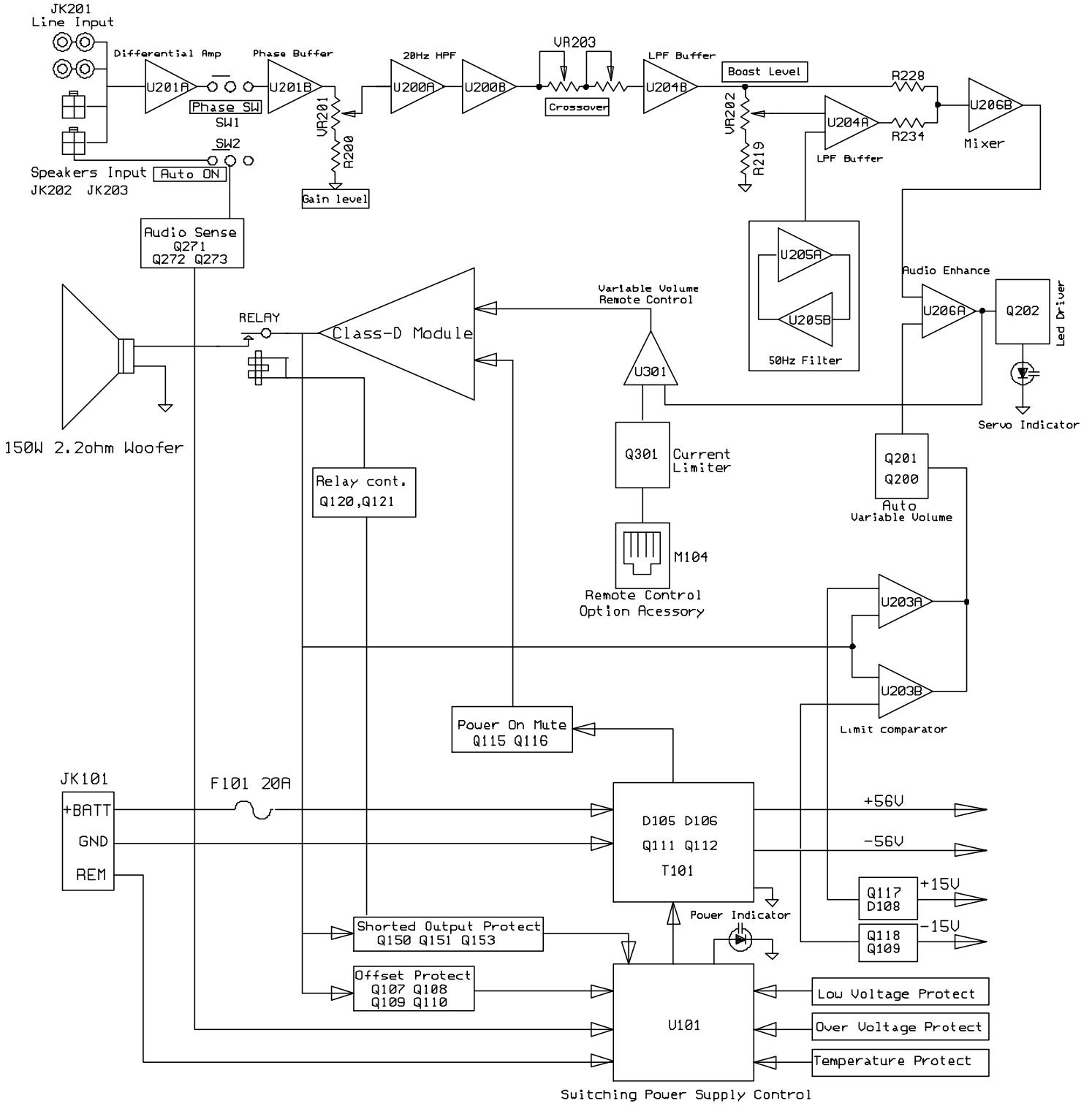
Models	Serial number	Status	Action
Basslink (version w/ LC - Remote Level Control)	ME0661-00000 to ME0661-19308	Check Power Supply PCB Trace For Damage	Repair Circuit Trace
Basslink X:	ME0641-00000 to ME0641-01358		
Basslink (version w/ LC - Remote Level Control)	ME0661-19309 and above	Modified by factory	NONE REQUIRED
Basslink X:	ME0641-01359 and above		

LEGEND TO EXPLODED VIEW			
BASSLINK (W/REMOTE LEVEL CONTROL)			
BASSLINK X			
Ref#	Part#	Qty	Description
1	700LC150-1	1	BASSLINK LOWER ENCLOSURE 366.5*322*101.5H BLACK ABS
	715LC150W	1	BASSLINK X - LOWER ENCLOSURE 366.5*322*101.5H BLACK ABS
2	700TC150-1	1	BASSLINK TOP ENCLOSURE 366.5*322*105.25H BLACK ABS
	715LC150X	1	BASSLINK X - TOP ENCLOSURE 366.5*322*105.25H BLACK ABS
3	25PF12FJ-CW01	1	Basslink Woofer 10" 4 ohm
	25PF12FJ-CW02	1	Basslink X - Woofer 10" 4 ohm
4	SZ579-1	1	LOGO INFINITY
5	PR-255000	1	Basslink PASSIVE RADIATOR
	PR-255002	1	Basslink X - PASSIVE RADIATOR
6	1932M1813	6	MICA ISOLATOR TO-220 18 X 13mm
7	06-T21001	2	SCREW 2 X 10mm P Type
8	06-T30804	4	SELF-TAPPING SCREW 3 x 8mm
9	06-T31004	5	SCREW M3 X 10mm
10	06-T31014	2	SELF-TAPPING SCREW 3 x 10mm P Type
11	06-M30809	2	SCREW M3 x 8 x 0.5 Type C
12	06-T41209	10	SELF-TAPPING SCREW 4 x 12mm P Type
13	06-M31204	6	SCREW M3 X 12mm C Type
14	06-T41403	16	SCREW 4 X 14mm P Type
15	06-T42009	13	SCREW 4 X 20mm
16	06-M31204	4	SCREW M3 X 12mm
17	06-M31603	1	SCREW M3 X 16mm
18	06-N3H01	1	HEXAGON NUTS M3
19	06-T30804	4	SCREW 4 X 8mm
20	06-W03P02	2	FIBER WASHER 3mm x 8mm x 0.3t
21	06-W03P03	3	FIBER WASHER 3mm x 8mm x 0.5t
22	06-W04P01	1	FLAT WASHER 10mm x 4.2mm x 0.8t
23	652M3T03	1	SOLDER TERMINAL M3 t=0.3
24	650IH125	4	IC HOLDER
25	653HS150	2	HEAT SINK 78 x62x2.5t
26	712PS150	1	PCB SPACER 6.3 x 12L
27	700SH150	1	SPACE HOLDER
28	723D150	2	EVA 182.5*18.5*2t
29	723C150	2	EVA 143*10.75*2t
30	723E156	1	EVA 92 x 4 x 1T
31	725B150	1	RUBBER SEAL
32	725C150	1	RUBBER SEAL
33	631PM150-1	1	PUNCH MESH 3□*4P*1T BLACK
34	631PM150	1	PUNCH MESH 3□*4P*1T BLACK
35	640RP150A-1	1	REAR PANEL 228*143*27*3t
36	650HB150	4	IN HEX-BOLT M5*0.8P*180L
37	650SN150	6	SPEED NUT 16X13X1T SECC 20/20
38	703BV150	2	Basslink BRACKET(V) 255 x 64.5 x 33 x 5T BLACK
	703BV150W	2	Basslink X - BRACKET(V) 255 x 64.5 x 33 x 5T WHITE
39	703BH150-1	4	Basslink BRACKET(H) 215.7 x 81 x 33 x 5T BLACK
	703BH150W	4	Basslink X - BRACKET(H) 215.7 x 81 x 33 x 5T WHITE
40	723A150A	4	EVA PACKING(A) 9.5□*2t
41	723A150	1	RUBBER SEAL 2.5 X 1100L
42	NLA-REPAIR	1	MAIN ASS'Y PCB
43	1010DS150-1	1	AMP-SMD ASS'Y
44	NLA-REPAIR	1	TONE CONTROL PCB ASS'Y

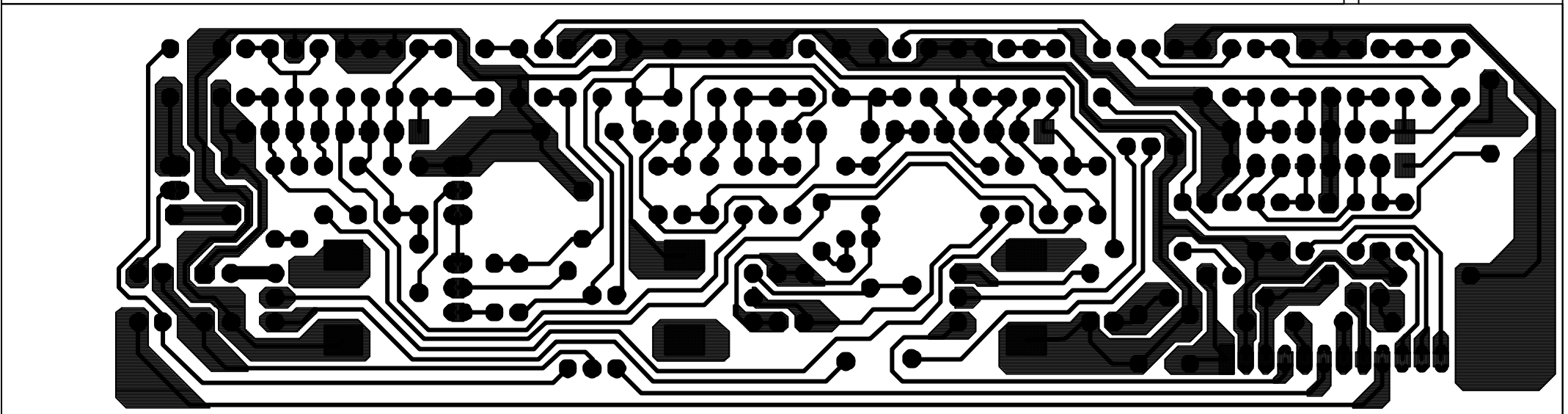
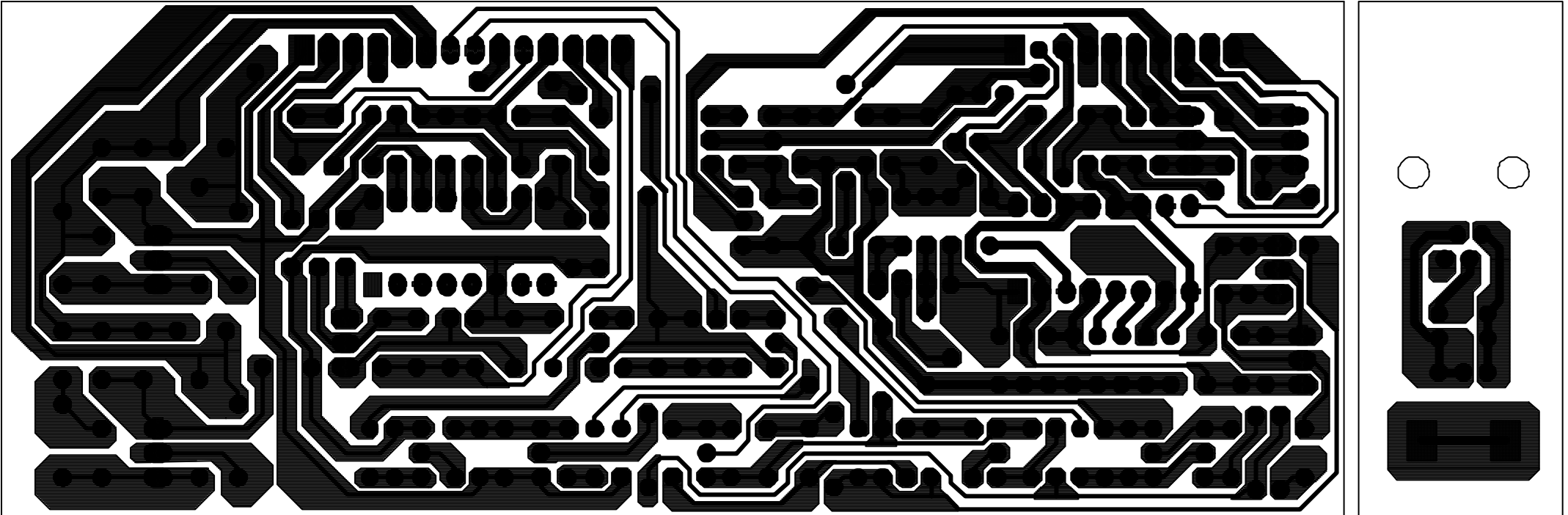
Block Diagram

BASSLINK II SYSTEM BLOCK DIAGRAM

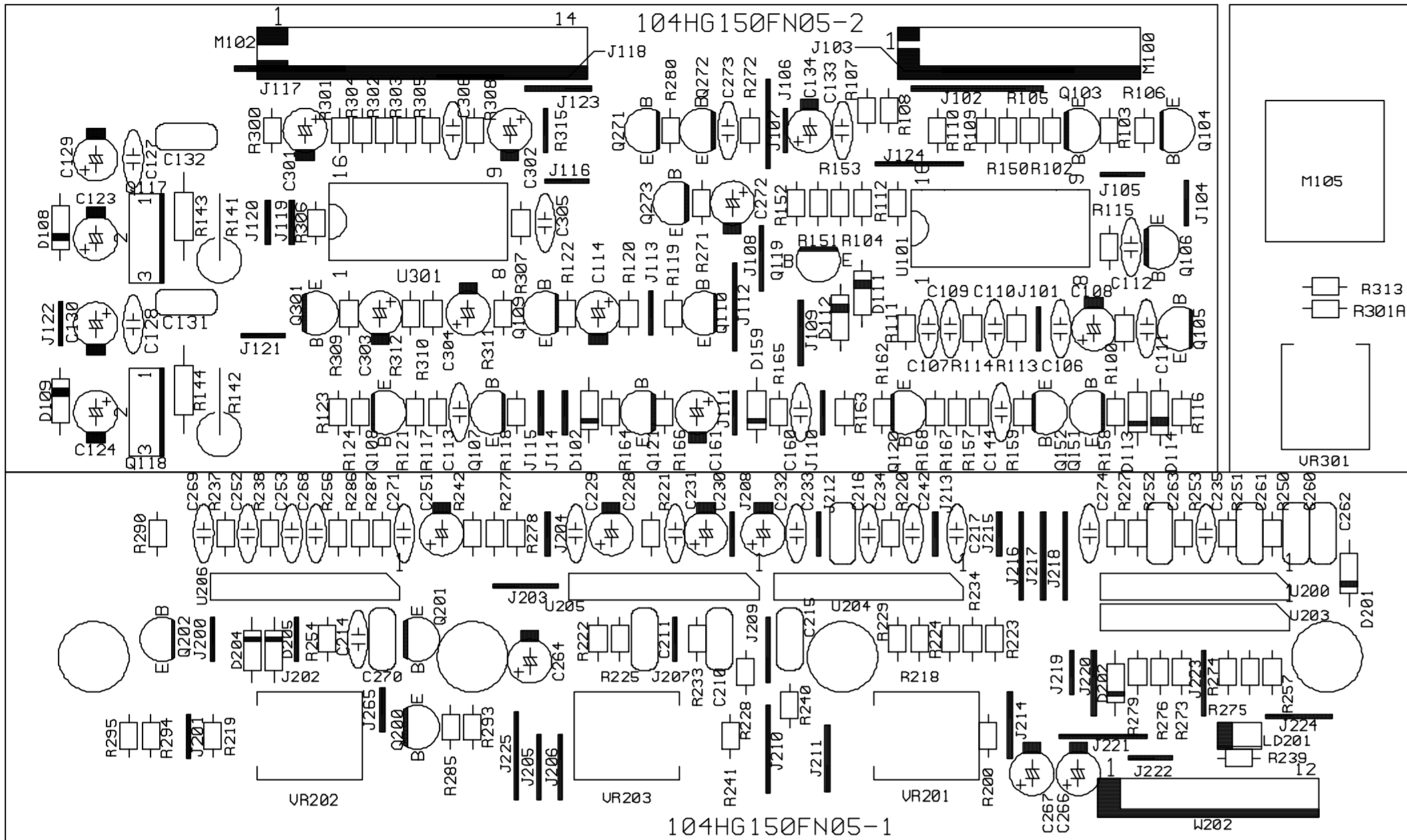
SEP 14 '2000



Switching Controller/Tone Control PCB's

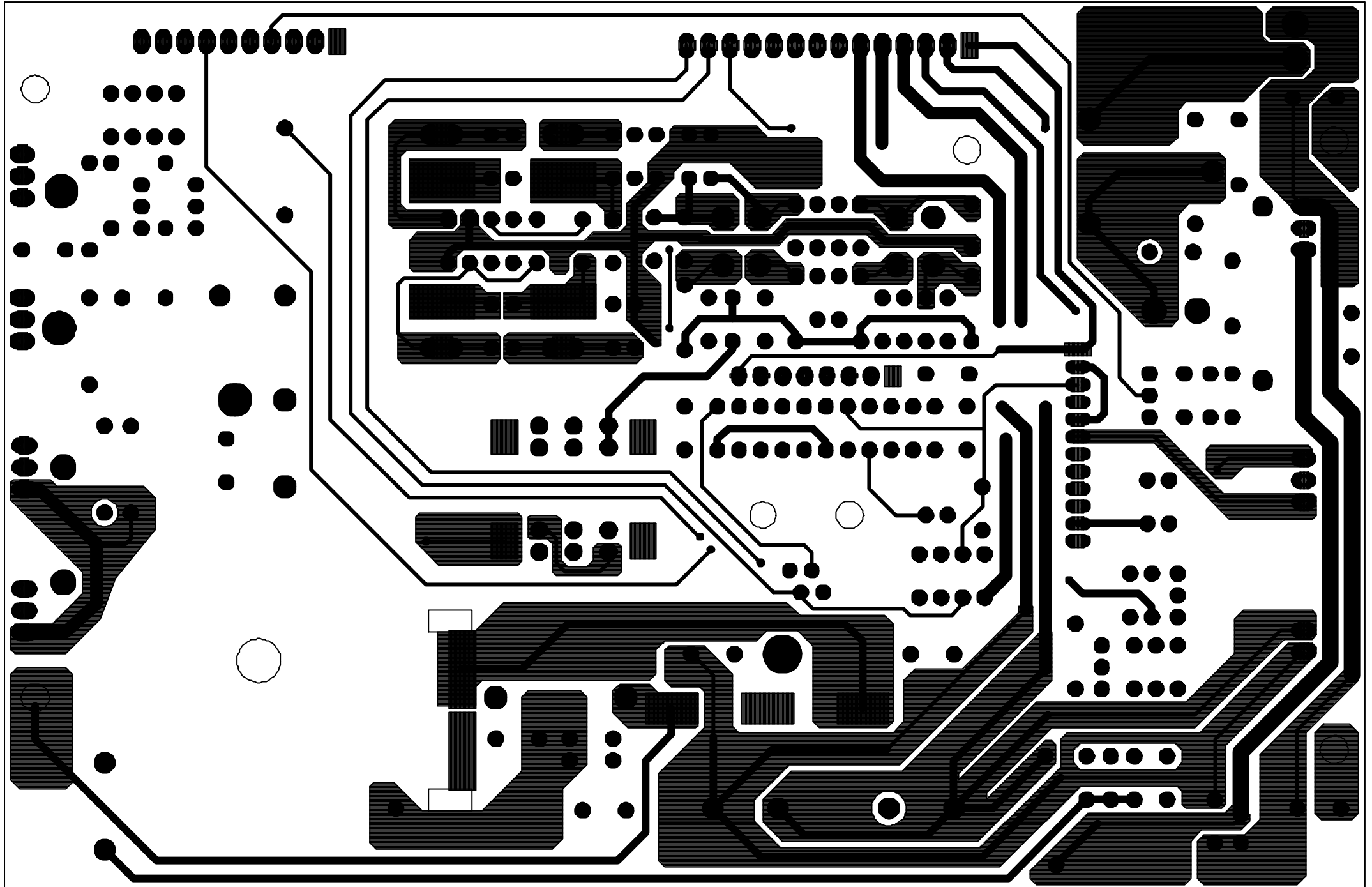


Switching Controller/Tone Control PCB's (Cont.)

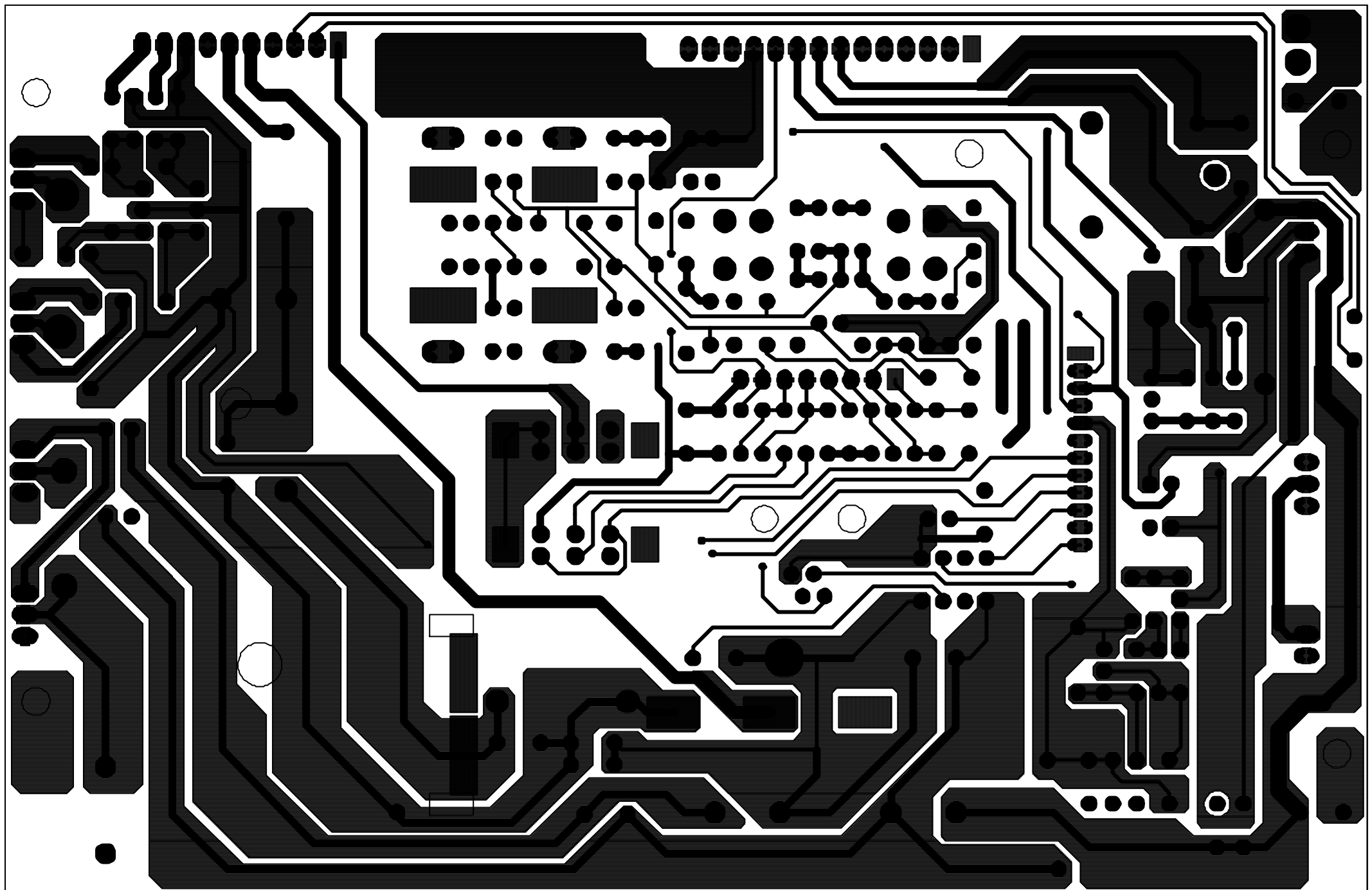


COMP SIDE

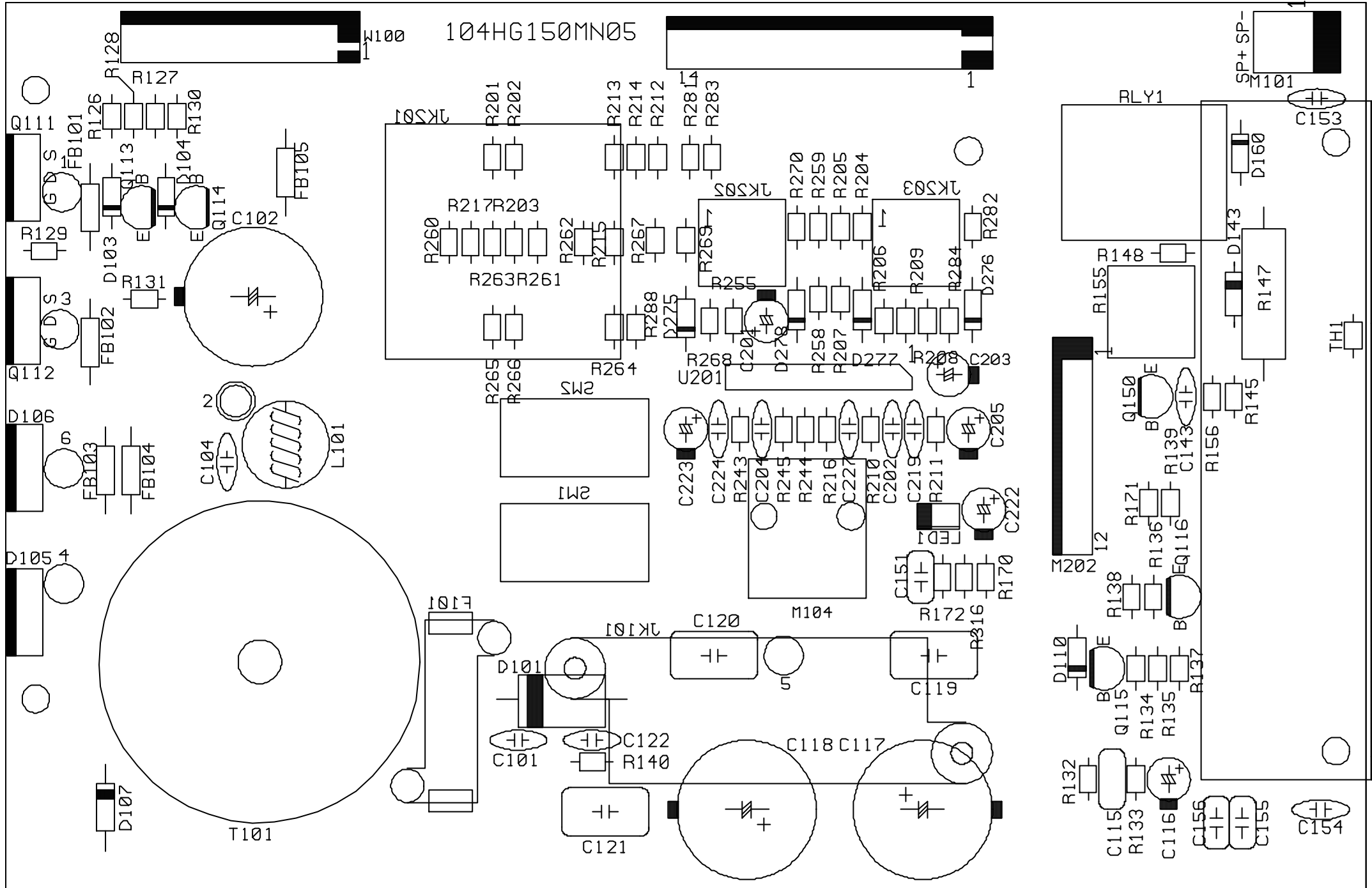
Main PCB



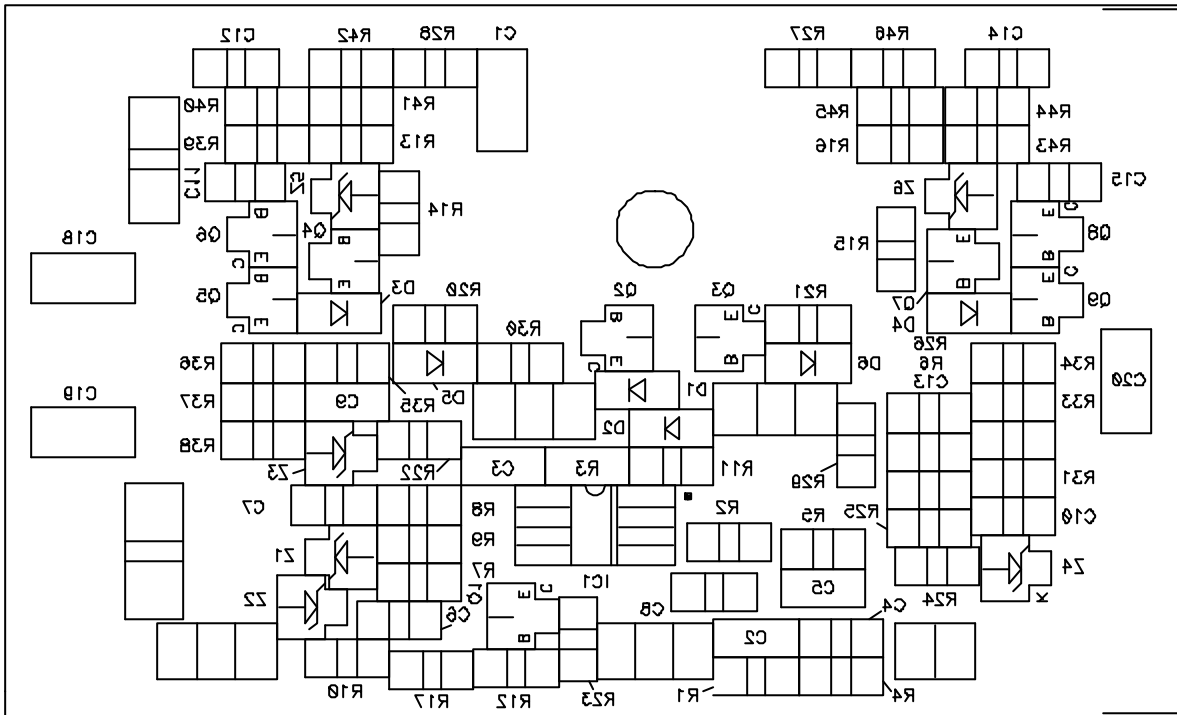
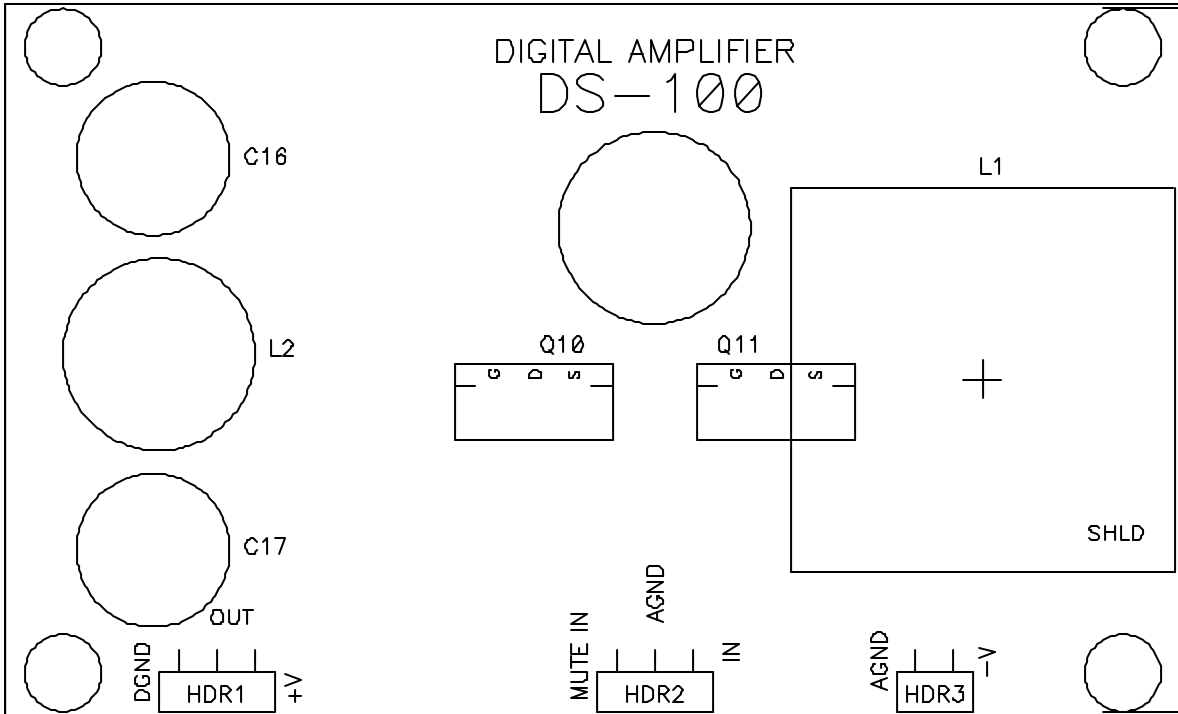
Main PCB (Cont.)



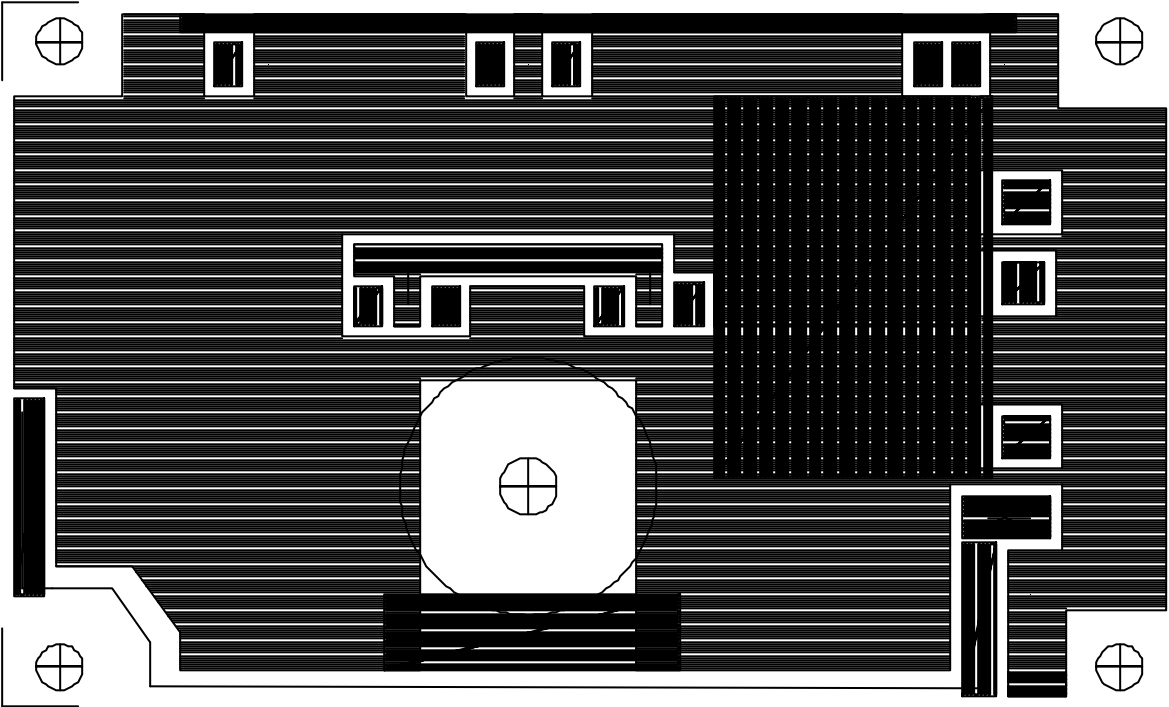
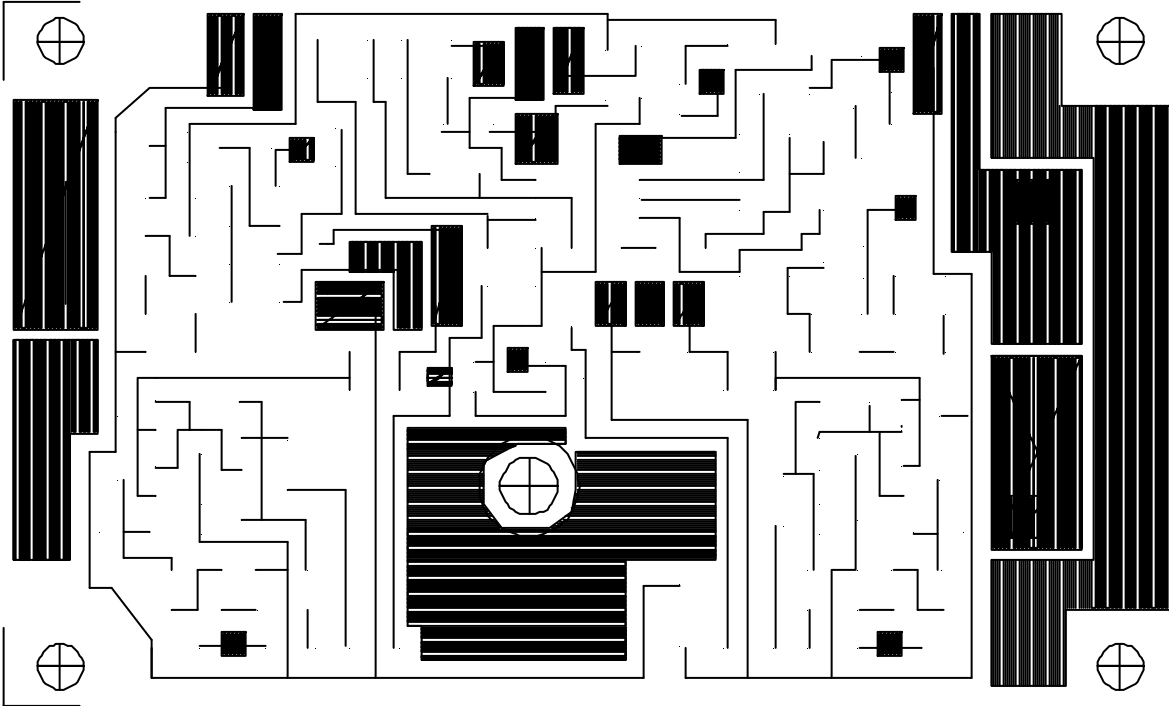
Main PCB (Cont.)



Power Amp PCB



Power Amp PCB (Cont'd)



BASSLINK (w Level Control jack) BASSLINK X

ELECTRICAL PARTS LIST

Part#	Description	Qty	Description
Main PC Board Assembly			
Resistors			
11016000j26	R170,171,172	3	RES, 0 ohms 1/6W ±5% CF 26mm
11016101j26	R129,131	2	RES, 100 ohms 1/6W ±5% CF 26mm
11016102j26	R136	1	RES, 1K 1/6W ±5% CF 26mm
11016103j26	R132,133,137,138,140,201,204,208,213,265,266,269,270	13	RES, 10K 1/6W ±5% CF 26mm
11016104j26	R135,255	2	RES, 100K 1/6W ±5% CF 26mm
11016182j26	R145	1	RES, 1.8K 1/6W ±5% CF 26mm
11016201j26	R205,206,207,209,258,259,267,268	8	RES, 200K 1/6W ±5% CF 26mm
11016221j26	R156	1	RES, 220 ohms 1/6W ±5% CF 26mm
11016222j26	R216,243,244,245	4	RES, 2.2K 1/6W ±5% CF 26mm
11016223j26	R134	1	RES, 22K 1/6W ±5% CF 26mm
11016243j26	R210,211	2	RES, 24K 1/6W ±5% CF 26mm
11016270j26	R126,127	1	RES, 27 ohms 1/6W ±5% CF 26mm
11016471j26	R128,130	2	RES, 470 ohms 1/6W ±5% CF 26mm
11016472j26	R212,217,260,281,282,283,284,288	8	RES, 4.7K 1/6W ±5% CF 26mm
11016473j26	R148	1	RES, 47K 1/6W ±5% CF 26mm
11016513j26	R202,203,214,215,261,262-264	8	RES, 51K 1/6W ±5% CF 26mm
11120102jk1	R147	1	RES, METAL OXIDE 1K 2W ±5%
11350s68j00	R155	1	RES, CEW 0.068 ohms 5W
1091ttc802j0	TH1	1	NTC, TTC-802(JS)
Capacitors			
1302b101k503	C151	1	CAP, CA 100P 50V ±10%
1302b221k503	C202,204,219	3	CAP, CA 220P 50V ±10%
1302f104z503	C101,104,122,152,153,154,224,227	8	CAP, CA 0.1U 50V +80/-20%
132104ja03	C115,119,120	3	CAP, MY 0.1U 100V ±5%
132104kb04	C121	1	CAP, MY 0.1U 200V ±10%
132273ja03	C143	1	CAP, MY 0.027U 100V ±5%
1353106m50	C205,222,223	3	CAP, E 10U 50V ±20%
1353226m50	C201,203	2	CAP, E 22U 50V ±20%
1353335m50	C116	1	CAP, E 3.3U 50V ±20%
1354338m25	C102	1	CAP, E 3300U 25V ±20%
135c108m80	C117,118	2	CAP, E 1000U 80V
Semiconductors			
19006m4558l	U201	1	I.C. NJRC NJM4558L Dual Op-Amp
192027c1815gr	Q115	1	TRANS, 2SC1815GR NPN
192027c2235y	Q150	1	TRANS, 2SC2235Y NPN
192028a1015gr	Q113,114,116	3	TRANS, 2SA1015GR PNP
19216355ne06	Q111,112	2	TRANS, STP55NE06 MOSFET
19510204gd	LD1	1	LED Green 3mm FOR ON
197131n4148	D103,104,110,143,160,275-278	9	Diode IN4148 26mm
197301604gd	D105,106	2	Diode SF1604G-D

Part#	Description	Qty	Description
197306a20	D101	1	Diode 6A 200V 6A20
19730sf16	D107	1	Diode SF16
Miscellaneous			
1201000003	FB101,2,3,4,5	5	Ferrite BEAD
12214050k4160	L101	1	Inductor 5uH 15A
150r29191501	T101	1	Power Transf YT-802-007A
154k020a800	F101	1	ATC Fuse 20A 32V UL/CSA
1559f30240	F101	1	Fuse holder
156b010024	TH1	1	PVC SLEEVING □1.0 24mm
171urwh112d	RLY1	1	RELAY, RWH112D
180p752209	SW1,2	2	PUSH SW SSP752209-25JJ1
1932m1813	Q111,2,D105,6	4	Mica Pad TO-220 18*13mm
1745te112j	JK101	1	Power Supply Con Nectn TE1-12J
1749mjd0604	M104	1	PHONE JACK D/S 6P4C
1751b12v01	M202	1	Wafer 12PIN PITCH=2.0mm
1759d02v01	M101	1	Wafer 2PIN PITCH=3.96mm
1759h04v01	JK202,3	2	4PIN Universal Interface Connector
174040124bg	JK201	1	RCA JACK 4PIN
162a040d001	W101	1	SPEAKER WIRE ASS'Y #1015 400mm

Switching Controller Assembly

Resistors

11016100j26	R109,162	2	RES, 10 ohms 1/6W ±5% CF 26mm
11016102j26	R103,115,158	3	RES, 1K 1/6W ±5% CF 26mm
11016103j26	R108,110,117,118,119,122-124,151,166,167,168,305,307,308,312	16	RES, 10K 1/6W ±5% CF 26mm
11016104j26	R114,120,150,300	4	RES, 100K 1/6W ±5% CF 26mm
11016105j26	R272,280	2	RES, 1M 1/6W ±5% CF 26mm
11016106j26	R271	1	RES, 10M 1/6W ±5% CF 26mm
11016123j26	R104	1	RES, 12K 1/6W ±5% CF 26mm
11016151j26	R311	1	RES, 150 ohms 1/6W ±5% CF 26mm
11016153j26	R304,309	2	RES, 15K 1/6W ±5% CF 26mm
11016154j26	R310	1	RES, 150K 1/6W ±5% CF 26mm
11016183j26	R152	1	RES, 18K 1/6W ±5% CF 26mm
11016221j26	R102	1	RES, 220 ohms 1/6W ±5% CF 26mm
11016222j26	R112	1	RES, 2.2K 1/6W ±5% CF 26mm
11016223j26	R121,164	2	RES, 22K 1/6W ±5% CF 26mm
11016303j26	R306	1	RES, 30K 1/6W ±5% CF 26mm
11016393j26	R157,163	2	RES, 39K 1/6W ±5% CF 26mm
11016432j26	R105	1	RES, 4.3K 1/6W ±5% CF 26mm
11016470j26	R165	1	RES, 47 ohms 1/6W ±5% CF 26mm
11016471j26	R153	1	RES, 470 ohms 1/6W ±5% CF 26mm
11016472j26	R111,116	2	RES, 4.7K 1/6W ±5% CF 26mm
11016511j26	R302,303	2	RES, 510 ohms 1/6W ±5% CF 26mm
11016562j26	R100,159	2	RES, 5.6K 1/6W ±5% CF 26mm
11016681j26	R106,107	2	RES, 680 ohms 1/6W ±5% CF 26mm
11016682j26	R113	1	RES, 6.8K 1/6W ±5% CF 26mm
11016822j26	R301	1	RES, 8.2K 1/6W ±5% CF 26mm

Part#	Description	Qty	Description
11112332j10	R143,144	2	RES,MF 3.3K 1/2W ±5%
11130621jk3	R141,142	2	RES,MF 620 ohms 3W ±5%
Capacitors			
1302f104z503	C106,107,109,111,112,113,127,128,133,144,160,305,306	13	CAP, CA 0.1U 50V +80/-20%
1303f272ka03	C110	1	CAP, CA 2700pF 100V ±10%
132103j503	C273	1	CAP, MY 0.01U 50V ±5%
1353105m50	C303	1	CAP, E 1U 50V ±20%
1353106m50	C301,302	2	CAP, E 10U 50V ±20%
1353107m16	C129,130	2	CAP, E 100uF 16V ±20%
1353226m16	C108	2	CAP, E 22U 16V ±20%
1353227m16	C161	1	CAP, E 220U 16V ±20%
1353337m16	C114	1	CAP, E 330U 16V ±20%
1353475m50	C304	1	CAP, E 4.7U 50V ±20%
1353476m16	C123,124	2	CAP, E 47U 16V ±20%
1353476m25	C272	1	CAP, E 47U 25V ±20%
1354337m25	C134	1	CAP, E 330U 25V ±20%
Semiconductors			
19915000625	D112	1	Diode 6.2V 1/2W 52mm TAP
19915001505	D108,109	2	Diode 15V 1/2W 52mm TAP
192011d669a	Q117	1	TRANS, 2SD669A
192012b649a	Q118	1	TRANS, 2SB649A
192027c1815gr	Q104,106,108,110,120,121,151,271,272,273,301	11	TRANS, 2SC1815GR TAP
192028a1015gr	Q105,107,109,119,152	5	TRANS, 2SA1015GR TAP
192028a965y	Q103	1	TRANS, 2SA965Y TAP
197131n4148	D102,111,113,114,159,201,202	7	Diode 1N4148 26mm TAP
19006m13700n	U301	1	LM13700N JRC/NS.Dual Op-Amp
19013494cn	U101	1	NJ TL494CN P.W.M.
Misc.			
1759f40hr2	M100,102	0.6	Wafer 40PIN PITCH=2.54mm HR2*40

Tone Control PC Board Assembly

Resistors

11016102j26	R219,222,233,239	4	RES, 1K 1/6W ±5% CF 26mm
11016103j26	R221,229,285,294	4	RES, 10K 1/6W ±5% CF 26mm
11016122j26	R295	1	RES, 1.2K 1/6W ±5%CF 26mm
11016123j26	R227,234	2	RES, 12K 1/6W ±5% CF 26mm
11016153j26	R218,252	2	RES, 15K 1/6W ±5% CF 26mm
11016204j26	R237	1	RES, 200K 1/6W ±5% CF 26mm
11016222j26	R228	1	RES, 2.2K 1/6W ±5% CF 26mm
11016223j26	R240,241,242,250,254,287	6	RES, 22K 1/6W ±5% CF 26mm
11016243j26	R225	1	RES, 24K 1/6W ±5% CF 26mm
11016273j26	R274	1	RES, 27K 1/6W ±5% CF 26mm

Part#	Description	Qty	Description
11016333j26	R253,277	2	RES, 33K 1/6W ±5% CF 26mm
11016392j26	R224	1	RES, 3.9K 1/6W ±5% CF 26mm
11016393j26	R223	1	RES, 39K 1/6W ±5% CF 26mm
11016432j26	R279	1	RES, 4.3K 1/6W ±5% CF 26mm
11016472j26	R275,276	2	RES, 4.7K 1/6W ±5% CF 26mm
11016473j26	R257,273,290	3	RES, 47K 1/6W ±5% CF 26mm
11016474j26	R220,278	2	RES, 470K 1/6W ±5% CF 26mm
11016511j26	R200,256,286	3	RES, 510 ohms 1/6W ±5% CF 26mm
11016562j26	R238	1	RES, 5.6K 1/6W ±5% CF 26mm
11016683j26	R251	1	RES, 68K 1/6W ±5% CF 26mm
11016755j26	R293	1	RES, 7.5M 1/6W ±5% CF 26mm
115v503b101	VR201	1	POT 50KB R0901N-5KD1-B50K
115v503b201	VR202,203	2	POT 50KBX2 R0901G-5KD1-B50K Bass Boost/Crossover

Capacitors

129a104j633	C211	1	CAP, F 0.1U 63V ±5% MSC
129a224j633	C215	1	CAP, F 0.22UF 63V ±5% MSC
129a334j633	C260,261,262,263	4	CAP, F 0.33uF 63V ±5% MSC
129a394j633	C210	1	CAP, F 0.39uF 63V ±5% MSC
129a823j633	C216	1	CAP, F 0.082U 63V ±5% MSC
1302b101k503	C214	1	CAP, CA 100P 50V ±10%
1302b101k503	C217,242,252,253	4	CAP, CA 100P 50V ±10%
1302f104z503	C229,231,233-235,268,269,274	8	CAP, CA 0.1U 50V +80/-20%
132103j503	C270,271	2	CAP, MY 0.01U 50V ±5%
1353106m50	C228,230,232,266,267	5	CAP, E 10U 50V ±20%
1353226m16	C264	1	CAP, E 22U 16V ±20%
1353476m16	C251	1	CAP, E 47U 16V ±20%

Semiconductors

19006m4558l	U200,203-206	5	I.C. NJRC NJM4558L Dual Op-Amp
192027c1815gr	Q200,201	2	TRANS, 2SC1815GR NPN
192028a1015gr	Q202	1	TRANS, 2SA1015GR PNP
19510204hd	LD201	1	LED RED 3mm POWER (BASSLINK ONLY)
19510204ubd	LD201	1	LED BLUE 3mm POWER (BASSLINK X ONLY)
197131n4148	D201,202	2	Diode 1N4148 26mm

Miscellaneous

16250269001	W202	1	12Pins Multi Wires Connector Ass'y
-------------	------	---	------------------------------------

Power Amplifier PC Board Assembly

Resistors

11812061001j	R2,11,29,30	4	RES, 1K 1206 5%
11812061002j	R7,9,25	3	RES, 10K 1206 5%
118120610r0j	R22,23	2	RES, 10 ohms 1206 5%
11812061201j	R31-46	16	RES, 1.2K 1206 5%
11812062002j	R26	1	RES, 20K 1206 5%
11812062201j	R6,13,16	3	RES, 2.2K 1206 5%

Part#	Description	Qty	Description
11812062701j	R10	1	RES, 2.7K 1206 5%
11812063000j	R24	1	RES, 300 ohms 1206 5%
11812063301j	R14,15,27,28	4	RES, 3.3K 1206 5%
11812063902j	R3	1	RES, 39K 1206 5%
11812064700j	R8	1	RES, 470 ohms 1206 5%
11812064701j	R1,5,12	3	RES, 4.7K 1206 5%
11812064702j	R17	1	RES, 47K 1206 5%
11812064704j	R4	1	RES, 4.7M 1206 5%
118120647r0j	R20,21	2	RES, 47 ohms 1206 5%

Capacitors

141c0101k50	C4	1	CAP,CA 100pF 50V 10% 1206 NPO
141c0220k50	C5	1	CAP,CA 22pF 50V 10% 1206 SMT NPO
141c0561k50	C6	1	CAP,CA 560pF 50V 10% 1206 NPO
141c6104m50	C2,3,7,8,9,10,11,15	8	CAP,CA 0.1uF 50V 20% 1206 Z5U
141c7223k50	C13	1	CAP,CA 0.022uF 50V 10% 1206 X7R
141d7104ka0	C12,14,18,19,20	5	CAP,NP 0.1uF 100V 10% 1210 X7R
141d7104kb0	C1	1	CAP,NP 0.1uF 200V 10% 1210 X7R
128e106ma01	C16,17	2	CAP,E NP 10uF 100V 20%

Semiconductors

19016tl072dts	IC1	1	SMD I.C TL072CDT Dual Op-Amp
19209124126qs	Q1,4,5	3	TRANS, 2SC2412K-T146Q/R ROHM NPN
19209139066rs	Q2,8	2	TRANS, 2SC3906K-T146R ROHM NPN
19209210376qs	Q7,9	2	TRANS, 2SA1037K-T146Q/R ROHM NPN
19209215146rs	Q3,6	2	TRANS, 2SA1514K-T146R ROHM NPN
192232irf9640	Q10	1	TRANS, IRF9640 IR PNP TO220
192233irf640	Q11	1	TRANS, IRF640 IR FET N-CH TO-220
19703rls4148s	D1,2,3,4,5,6	6	Diode RLS4148-TE11 ROHM
19915000563s	Z1,2	2	Diode 5.6V 5% ZENER BZX84-C5V6
19915001203s	Z5,6	2	Diode 12V 5% ZENER BZX84-C12
19915001503s	Z3,4	2	Diode 15V 5% ZENER BZX84-C15

Miscellaneous

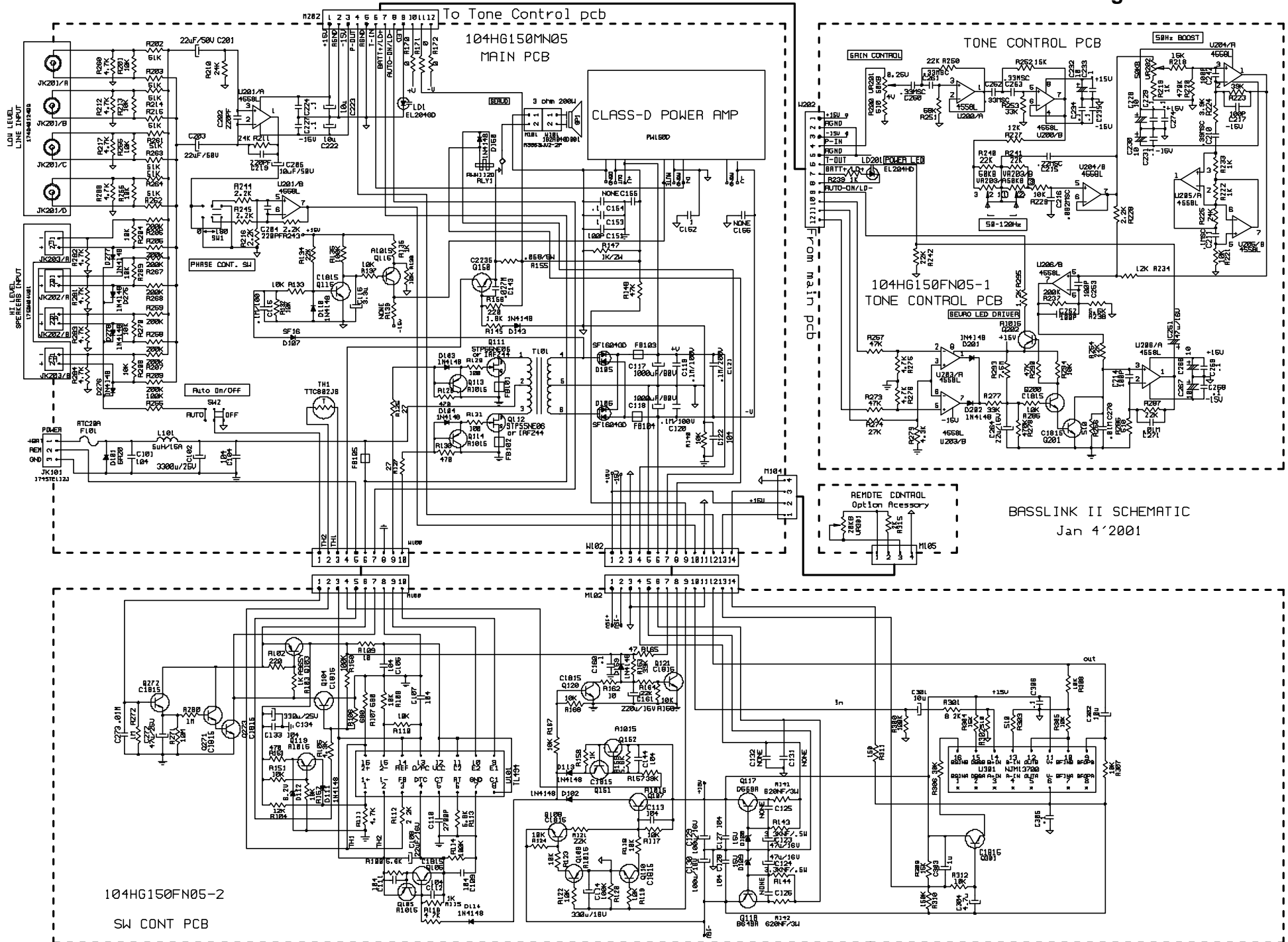
12214121m4191	L1	1	Ferrite core LS-A6206-ST EFD-30
12214350j4180	L2	1	Inductor 35uH
1759f40hr2		0.2	Wafer 40PIN PITCH=2.54mm HR2*40

MISCELLANEOUS/MECHANICAL (See pages 31-32 for more external parts)

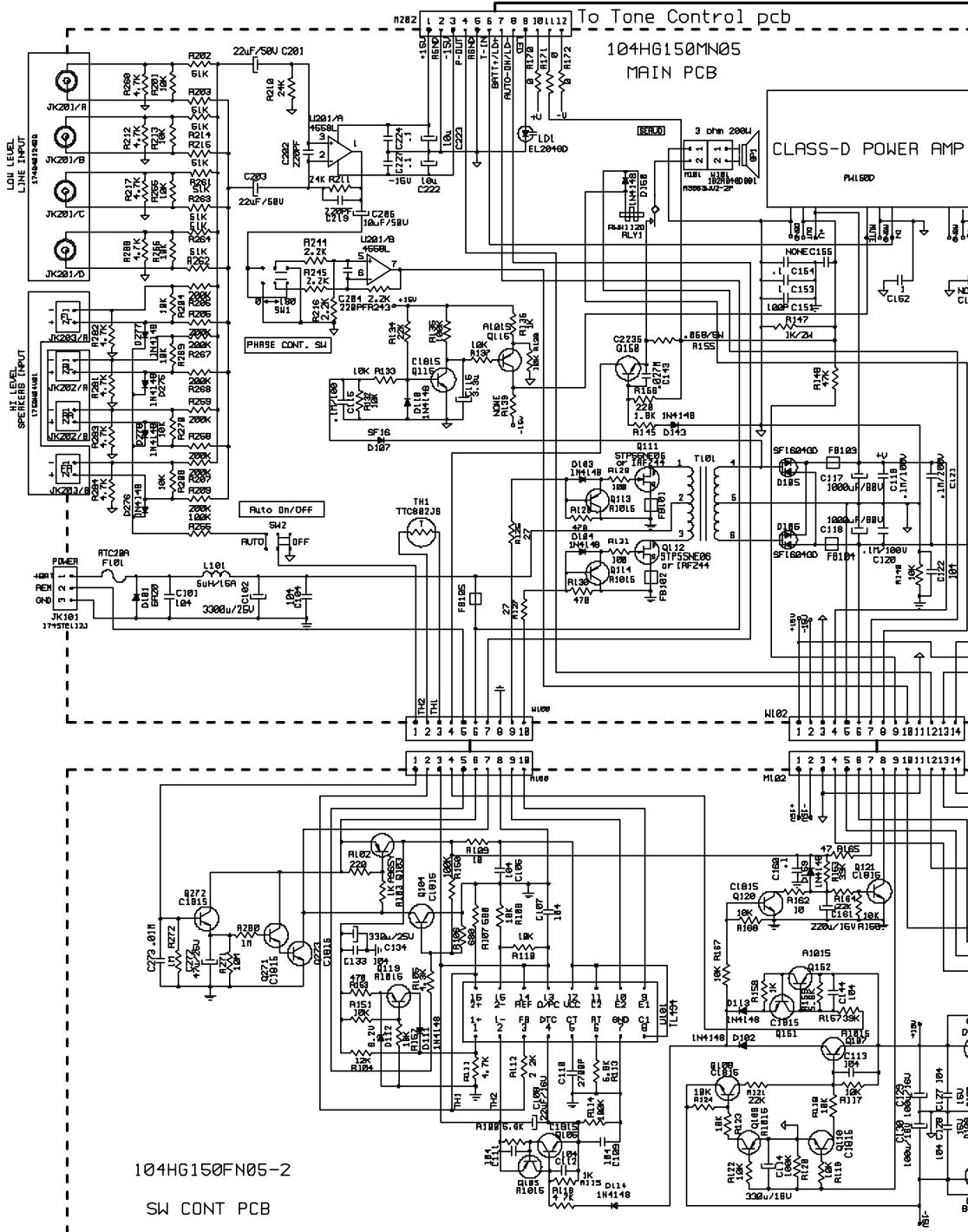
602p4300800	PCB TO P/S-1	1	SCREW M3*8
602p4301200	H/S TO IC-4	4	SCREW M3*12
607p4300800	PCB TO H/S-2	2	SCREW □3*8
622r030803	AC JK-2	2	FIBER WASHER 3*8*0.3t
712led-10.5		1	LED HOLDER 10.5H
606c8401410	10"SUB SPK-8	8	SCREW □4*14
606c8401410	FAKE SPK-8	8	SCREW □4*14
1302f104z500	C152(DS150 TO GND)	1	CAP, CA 0.1u 50V
162a040d001	W101	1	SPEAKER WIRE ASS'Y #1015 400mm

Part#	Description	Qty	Description
162a600d001		1	ACCESSRY WIRE 6000mm
162a600d002		1	ACCESSRY WIRE 6000mm
193201815t2	Q10,1	2	CERAMIC ISOLATOR
600n8402000	T/C TO L/C-13	13	SCREW □4*20
602p8300800	R/P TO PS-1	1	SCREW M3*8
602p8301200	R/P TO T/L COVER-6	6	SCREW M3*12
602p8301600	H/S TO DS-100 PCB-1	1	SCREW M3*16
606c8301008	PCB TO BOSS-2	2	SCREW □3*10
606p8201000	FUSE HOLDER-2	2	SCREW □2*10
606p8301000	RCA JK-1/AC JK-2,PCB TO BOSS-2	5	SCREW □3*10
606p8401200	R/P TP T/L COVER-8,L/C TO T/C-2	10	SCREW □4*12
607p4300800	PCB TO H/S-2	2	SCREW □3*8
607p8300800	R/P TO H/S-4	4	SCREW □3*8
610hm3b		1	SCREW M3
620f2421008		1	WASHER 4.2*10*0.8T
622r030805	PCB-1	1	FIBER WASHER 3□*8□*0.5t
723a10		2	EVA 300*14.2*1t
723c150-2		2	EVA 143*10.75*2t
723d150-2		2	EVA 182.5*18.5*2t
723e150-3		2	EVA 160*4*1t
723h150-1		2	EVA 35*6*1t
725a150		1	RUBBER SEAL 2.5□*1100L
725b150-1		1	RUBBER PACKING DOUBLE SIDE ADHESIVE 93.3*83.3*2
725d150		1	RUBBER PACKING SINGLE SIDE ADHESIVE 65*24*1T

Main/Tone Control/Switching Controller



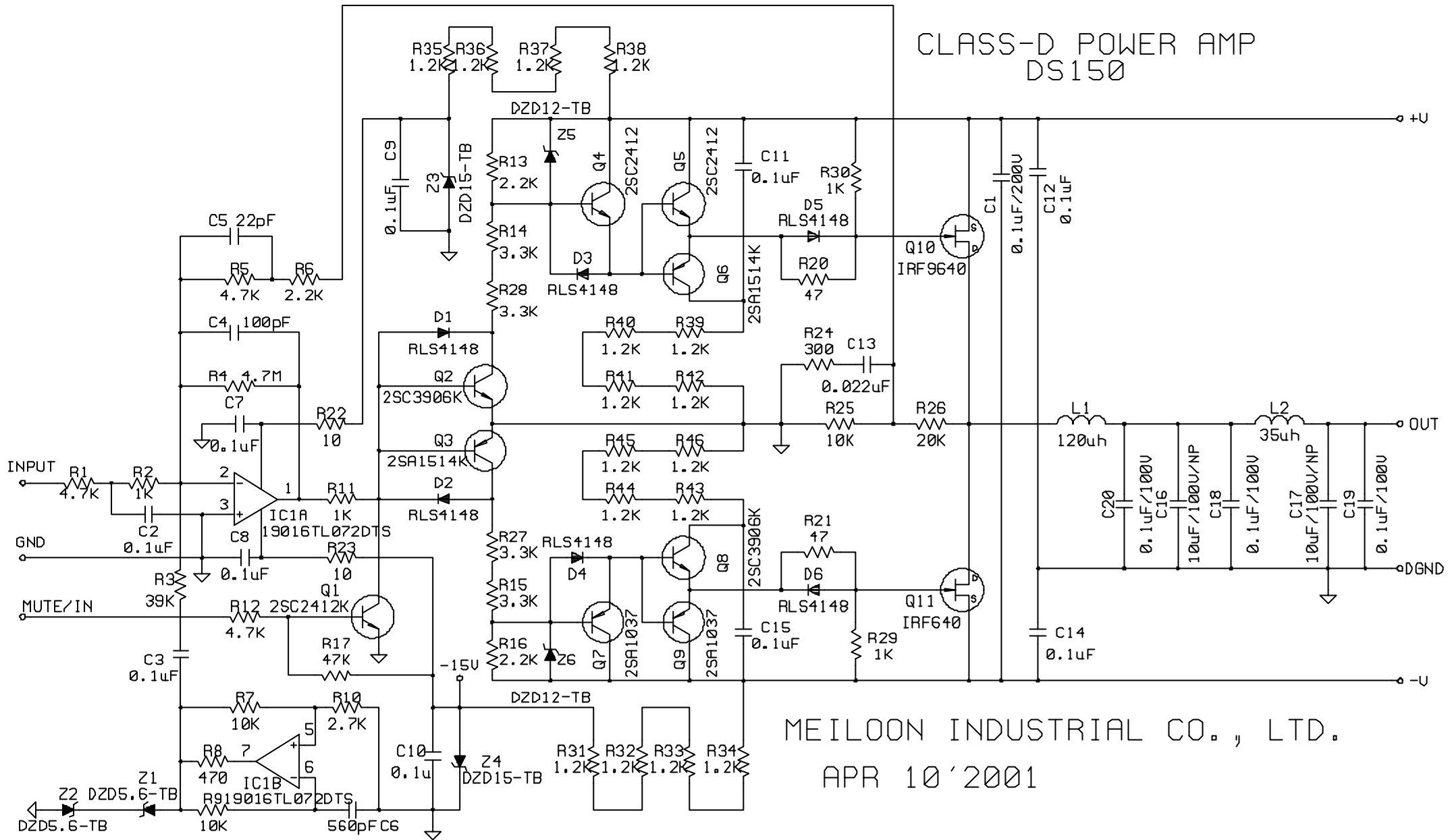
Main/Tone Control/Switching Controller Part1



104HG150FN05-2

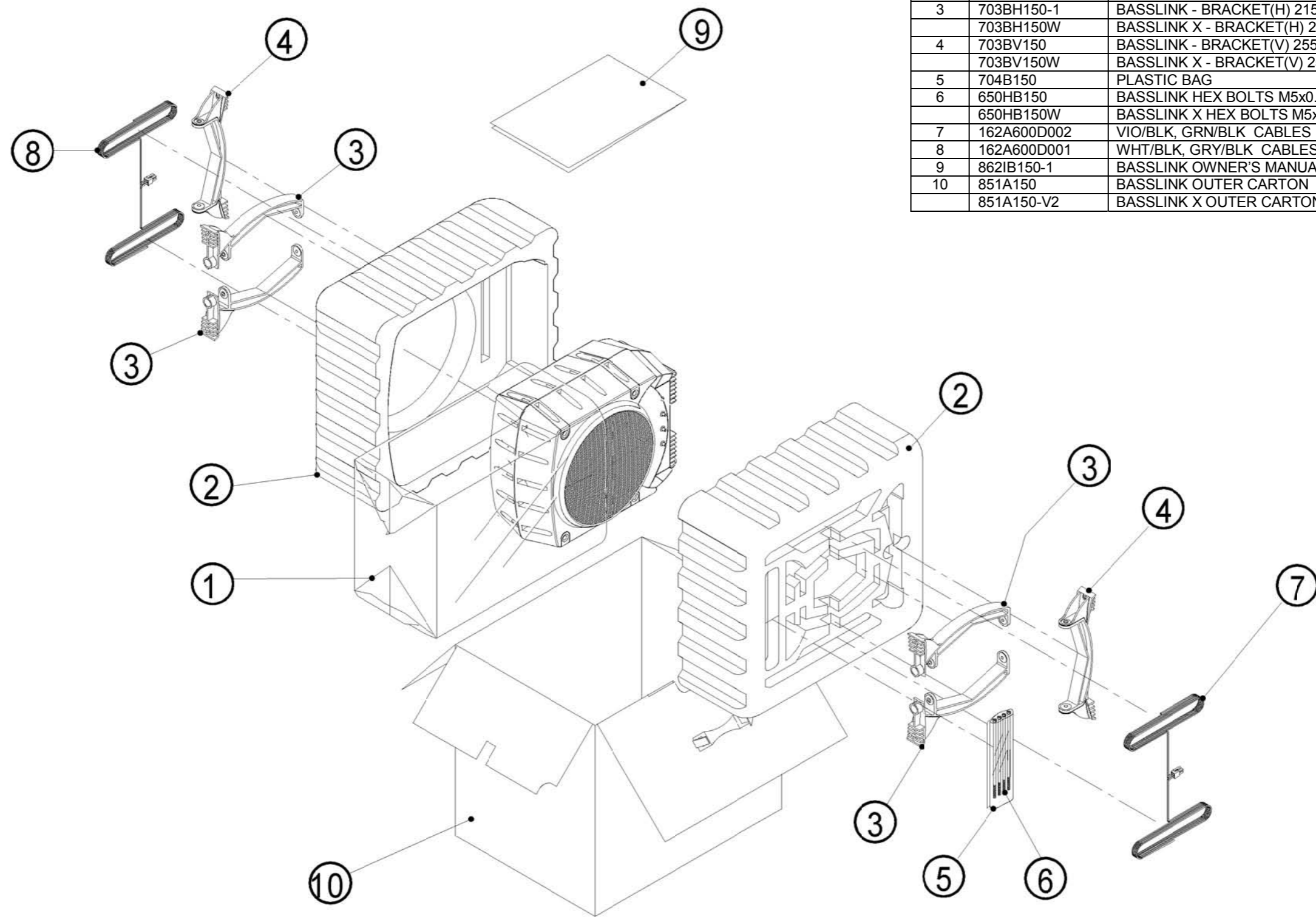
SW CONT PCB

Schematics (Cont.)



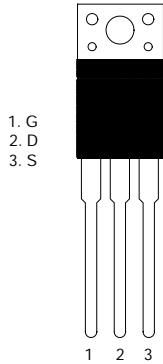
BASSLINK (W/REMOTE LEVEL CONTROL) BASSLINK X PACKAGING

Ref#	Part#	Description	Qty
1	704A150	PLASTIC BAG	1
2	706SB150	BASSLINK FOAM ENDS	2
3	703BH150-1	BASSLINK - BRACKET(H) 215.7*81*33*5T (BLACK)	4
	703BH150W	BASSLINK X - BRACKET(H) 215.7*81*33*5T (WHITE)	4
4	703BV150	BASSLINK - BRACKET(V) 255*64.5*33*5T (BLACK)	2
	703BV150W	BASSLINK X - BRACKET(V) 255*64.5*33*5T (WHITE)	2
5	704B150	PLASTIC BAG	1
6	650HB150	BASSLINK HEX BOLTS M5x0.8P x 180L	4
	650HB150W	BASSLINK X HEX BOLTS M5x0.8P x 180L	
7	162A600D002	VIO/BLK, GRN/BLK CABLES	1
8	162A600D001	WHT/BLK, GRY/BLK CABLES	1
9	862IB150-1	BASSLINK OWNER'S MANUAL	1
10	851A150	BASSLINK OUTER CARTON	1
	851A150-V2	BASSLINK X OUTER CARTON	1

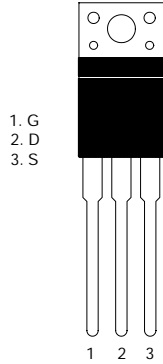


Integrated Circuit Diagrams

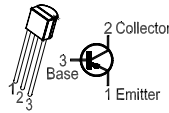
MOSFET
IRFZ44/STP55NE06
Q111, 112



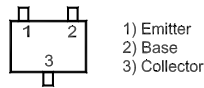
MOSFET, TO220
IRF640, 9640
Q11, 10



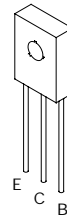
TRANS, PNP, 2SA1015GR, 2SA965Y
Q107, 109, 113, 114, 116, 152, 118
202, 103, 105, 119



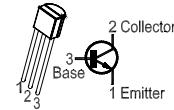
TRANS, NPN 2SC2412K, 2SC3906K
PNP, 2SA1514K, 2SA1037K
2SC1815GR, 2SA965Y
Q1, 2, 3, 4, 5, 6, 7, 8, 9



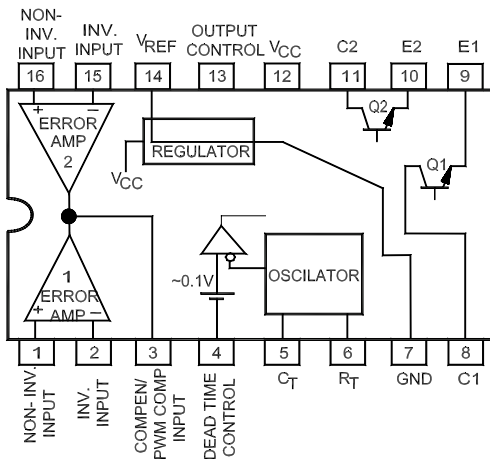
TRANS NPN, PNP
2SD669A, 2SB649A
Q117, 118



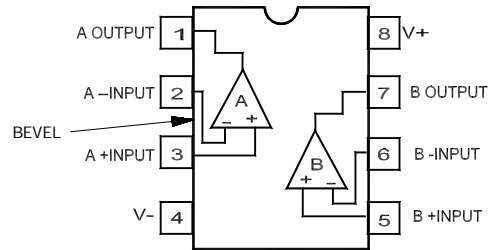
TRANS, NPN, 2SC1815GR, 2SC2235
Q108, 110, 115, 118, 120, 121, 151, 271
272, 273, 117, 150, 200, 201, 301, 104, 106



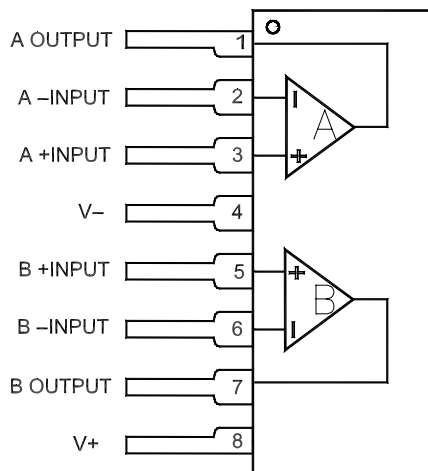
IC TL494 PWM
U101



OPAMP, DUAL 8
PIN, TLO72
IC1



OPAMP, DUAL 8 PIN
4558L
U201, 200, 203, 204, 205, 206



OPAMP, DUAL 16 PIN
NJM13700N
U301

